



 **SYSOLUTION**

S45S

2 in-1 Video Processor

Specification Product

Version: Ver.1.1

Statement

Dear user friend, thanks for choosing SHENZHEN SYSOLUTION TECHNOLOGY CO.,LTD (hereinafter referred to as Sysolution) as your LED advertising equipment control system. The main purpose of this document is to help you quickly understand and use the product. We strive to be precise and reliable when writing the document, and the content may be modified or changed at any time without notice.

Copyright

The copyright of this document belongs to Sysolution. Without the written permission of our company, no unit or individual may copy or extract the content of this article in any form.

Trademark



is a registered trademark of Sysolution.

Update Record

No.	Version	Updates	Revision Date
1	Ver.1.0	Initial Release	2021.07.19
2	Ver.1.1	Adding authentication information	2023.01.13

The document is subject to change without prior notice.

SHENZHEN SYSOLUTION TECHNOLOGY CO., LTD

Product Introduction

S45S is a pure hardware video processor developed for LED display with easy operation and rich functions, supporting high-definition multi-type interface inputs, integrating professional display control technology and powerful video processing capability, simplifying the field environment. It uses a high-performance image processing chip; with advanced interlaced image adaptive processing technology and ultra-clear noise reduction engine to eliminate the gauge frequency image motion dragging and jagged phenomenon, video image enhancement technology to make it more clear and delicate, rich in detail, full color pattern and stable image quality.

Applications

S45S is suitable for a variety of application scenarios such as small and medium-sized LED displays in shopping malls, hotels, exhibition displays, and TV broadcast centers.

Features

1. 3.9 million pixels of a single machine, custom output resolution, output up to 7680 pixels horizontally and 3840 pixels vertically;
2. 2.4 simultaneous images display;
3. audio and video switching/volume adjustment;
4. input ports: DVI * 1, HDMI * 2, DP * 1, VGA * 1, audio * 1;
5. support arbitrary switching of video sources, arbitrary scaling;
6. template saving and loading;
7. Multi-screen seamless switching, single layer seamless switching;
8. Time task list, one key black screen, built-in test card, USB upgrade, key lock.

Product Image



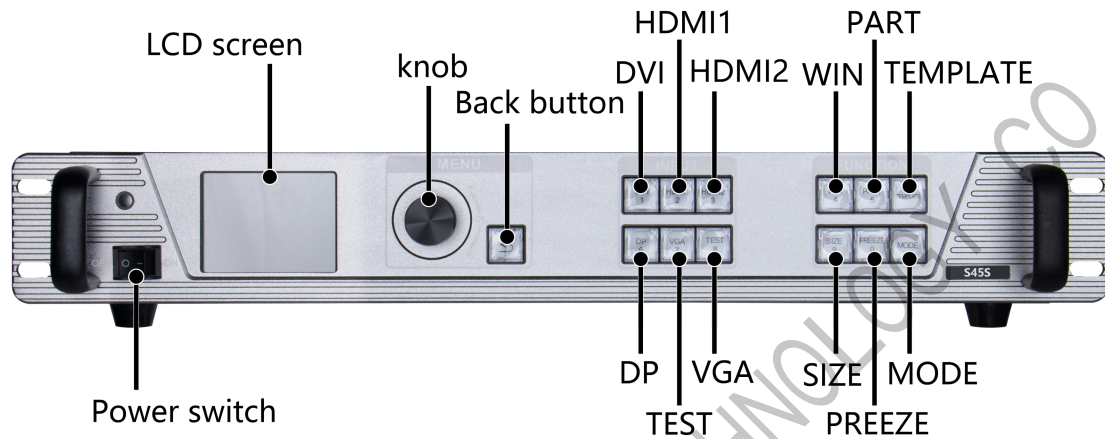
Loading Capacity

Load capacity	Single Port	650,000 pixels
	Complete machine	3.9 million pixels
Maximum width	Complete machine	7680
Maximum height	Complete machine	3840

SHENZHEN SYSOLUTION TECHNOLOGY CO., LTD

Interface Definition

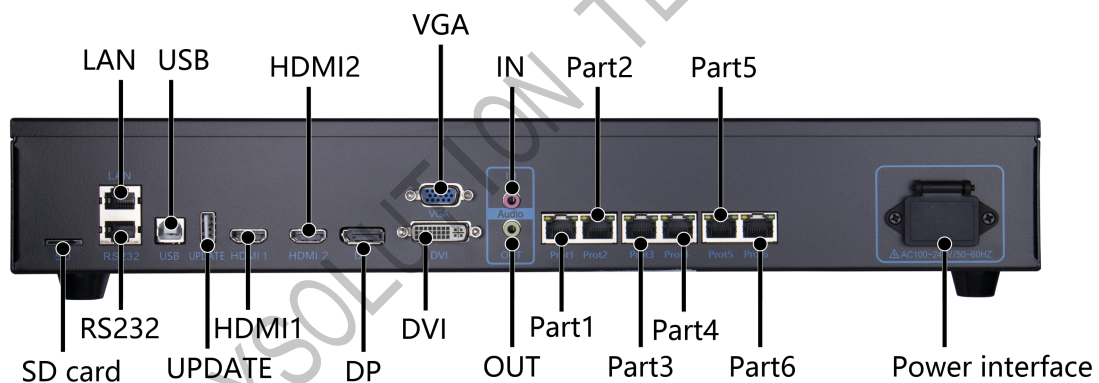
Front Panel



Front Panel Description		
Number	Button	Description
1	Power Switch	Device power on/off
2	LCD screen	Display operation menu
3	Operation buttons	Knob button for menu selection Return button
4	Input source switching	DVI, DVI input/number key 1 HDMI1, HDMI1 input/number key 2 HDMI2, HDMI2 input/number key 3

	keys	DP, DP input/number key 6 VGA, VGA input/number key7 TEST, Test card key/number key8
5	Function keys	WIN, Layer Selection/number key 4 PART, partial full-screen shortcut/number key 5 TEMPLATE, multi-screen template shortcut key SIZE, screen resizing shortcut/number key 9 FREEZE, image black screen / number key 0 MODE, loading scene shortcut

Rear Panel



Extended Function Interfaces		
Interface	Number	Description
SD card	1	Install SD card to store large screen configuration parameters for data patrol
Input Interfaces		
Interface	Number	Description

DVI	1	1920x1080/60HZ, 3840*540/60HZ and EDID management
HDMI1	1	1920x1080/60HZ, 3840*1080/60HZ and EDID management
HDMI2	1	1920x1080/60HZ, 3840*1080/60HZ and EDID management
DP	1	1920x1080/60HZ, 3840*2160/60HZ and EDID management
VGA	1	1920x1080/60HZ and EDID management

Output Interfaces

Interface	Number	Description
Gigabit network port	6	Interface type: RJ45 Transmission speed: 1000BaseTX Support receiving card: D70/D90 series receiving card and multi-function card

Processor Control Interfaces

Interface	Number	Description
UPDATE	1	USB upgrade port
USB	1	Support 1920×1200@60Hz
LAN1	1	100M network communication interface (reserved interface)
RS232	1	Serial port interface

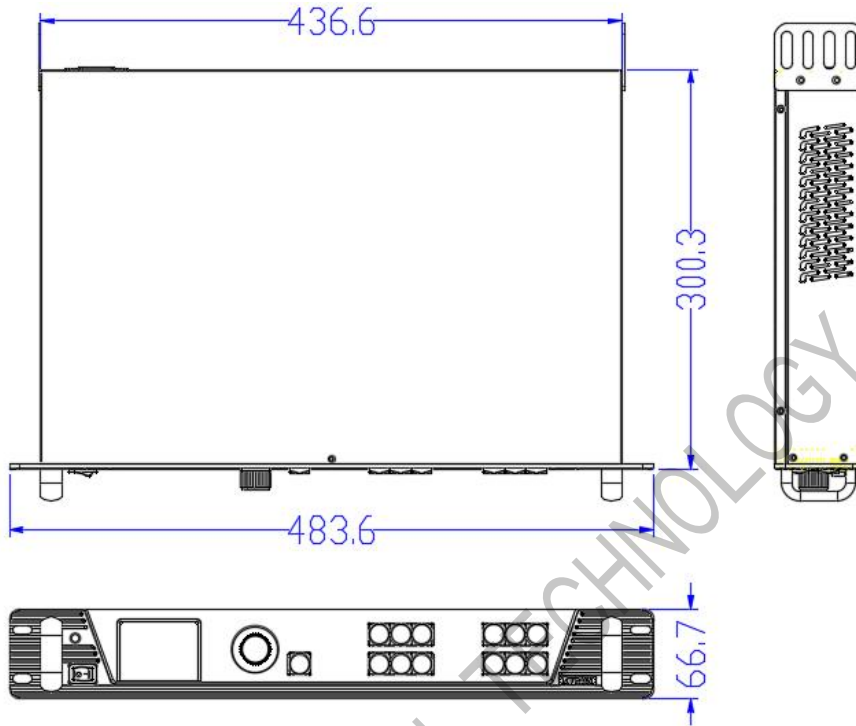
Power supply interface

Interface	Number	Description
Power connector	1	AC power input interface 100V~240V

Operating Parameters

Electrical parameters	Input voltage	AC-100-240V-50/60HZ
	Rated power	25W
Operating Environment	Operating temperature	0-45°C
	Operating humidity	10%RH-90%RH non-condensing
Dimension	size: 483.5 x 300.3 x 66.7 mm (Length x Weight x Height)	
Net weight	5KG	

Dimensions



Unit: mm

Note

1. High voltage danger: The working voltage of this product is AC -100V ~ 240V.
2. Don't immerse liquid, metal fragments and other conductive objects inside the equipment to avoid safety accidents.
3. Please put the equipment in a dry and clean environment.

SHENZHEN SYSOLUTION TECHNOLOGY CO., LTD