



Android Controller Y60C

Product Specifications

Version: Ver.1.1

Statement

Dear user friend, thanks for choosing SHENZHEN SYSOLUTION TECHNOLOGY CO.,LTD (hereinafter referred to as Sysolution Technology) as your LED advertising equipment control system. The main purpose of this document is to help you quickly understand and use the product. We strive to be precise and reliable when writing the document, and the content may be modified or changed at any time without notice.

Copyright

The copyright of this document belongs to Sysolution Technology. Without the written permission of our company, no unit or individual may copy or extract the content of this article in any form.

Trademark



is a registered trademark of Sysolution Technology.

Update Record

No.	Version	Description of content updates	Revision date
1	Ver.1.0	Initial Release	2021.12.23
2	Ver.1.1	Content update	2021.12.23

Note: The document is subject to change without prior notice.

SHENZHEN SYSOLUTION TECHNOLOGY CO., LTD

Product Introduction

Y60C allow to publish programs and control display through PC、 mobile phone、 Pad and other user terminals, supports wireless transmission and access to cloud platform release, easy to achieve remote display cluster control; The hardware and software design fully considers the user deployment, operation and maintenance scenarios, making deployment easier, operation more stable, and maintenance more efficient; With safe and stable function design, it can save space and reduce wiring for users. It can be used in small carrying scenes such as car screen, small traffic screen, community screen and light pole screen.

Y60C uses Qualcomm MSM8909 platform solution. The MSM8909 processor is manufactured using the 28nmLP CMOS process, and the quad-core frequency is 1.1GHz. The memory supports 1GB + 8GB (compatible with 2GB + 16GB) LPDDR3. The chip is a highly integrated product, can support GSM, WCDMA, TD-SCDMA, EVDO, TDD-LTE, FDD-LTE and other standards.

Features

1. The information release platform shall provide a copy and seal of the third-level filing certificate of the Ministry of Public Security information system security;
2. Information release platform material examination and approval of audiovisual programs transmitted through information network for filing, copy and seal;
3. Passed the national quality inspection stable qualified product certificate, provide the copy and seal;
4. Dual gigabit network port output, can be used as a backup, to ensure the stability of picture transmission;
5. Support the 485 interface through the external eight elements of environmental sensor R68, display environmental information, no need for secondary development;
6. External Lora synchronization module is supported to ensure the synchronization of multiple screens;
7. Support two remote power off, one control screen switch, one control street lamp switch.

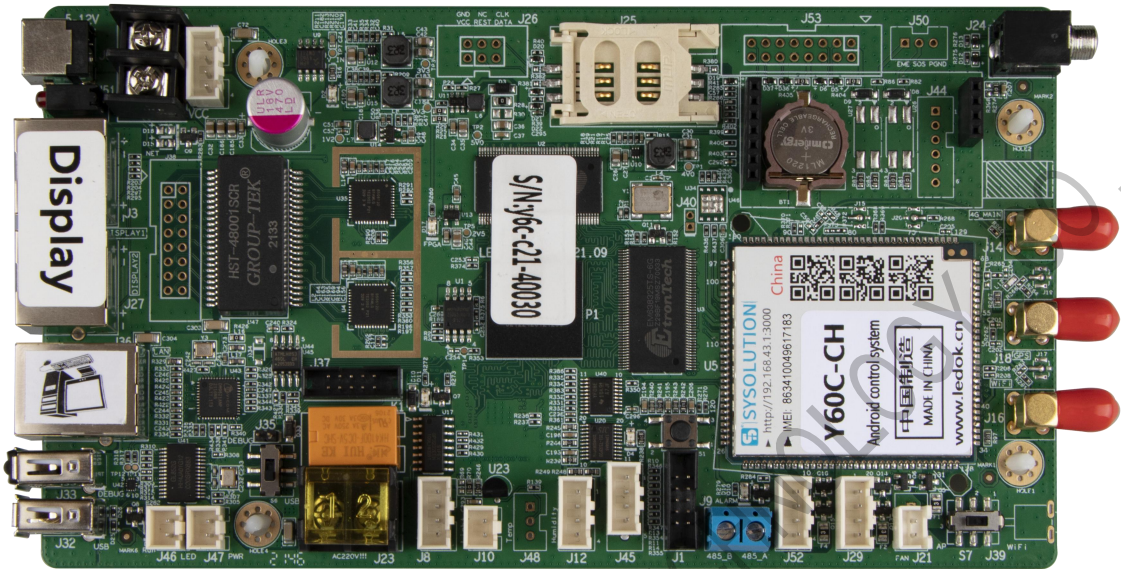
Functions

1. Support FCC, CE certification;
2. Lora wireless calibration multi-screen synchronization;
3. Onboard WiFi module, realize wireless communication;
4. support AP mode, Station mode;
5. Support secondary development, support remote cluster control of cloud platform;
6. Built-in Web Sever, support for local web page production, support PC, iPhone, Pad or other user terminals to publish program and control screen, remote cluser publish program, control screen and monitor screen status;
7. Strong processing performance, 4 core processor, main frequency 1.2ghz, support 1080P video hard decoding, 1GB running memory;
8. 8GB internal storage space, 4GB available to users;
9. When the user terminal connects to the WiFi hotspot provided by Y60C, the default SSID is " SN ", and the default password is " 12345678 ";
10. Support 4G network (The standard CAT4) , 4G is currently available only in China;
11. Support GPS timing/check time;
12. Dual network ports with super load capacity, 720 pixels(width)*1280(height) pixels resolution;
13. Support dual network ports loop backup;
14. Automatically adjust display brightness;
15. Support to broadcast programs according to the program list;

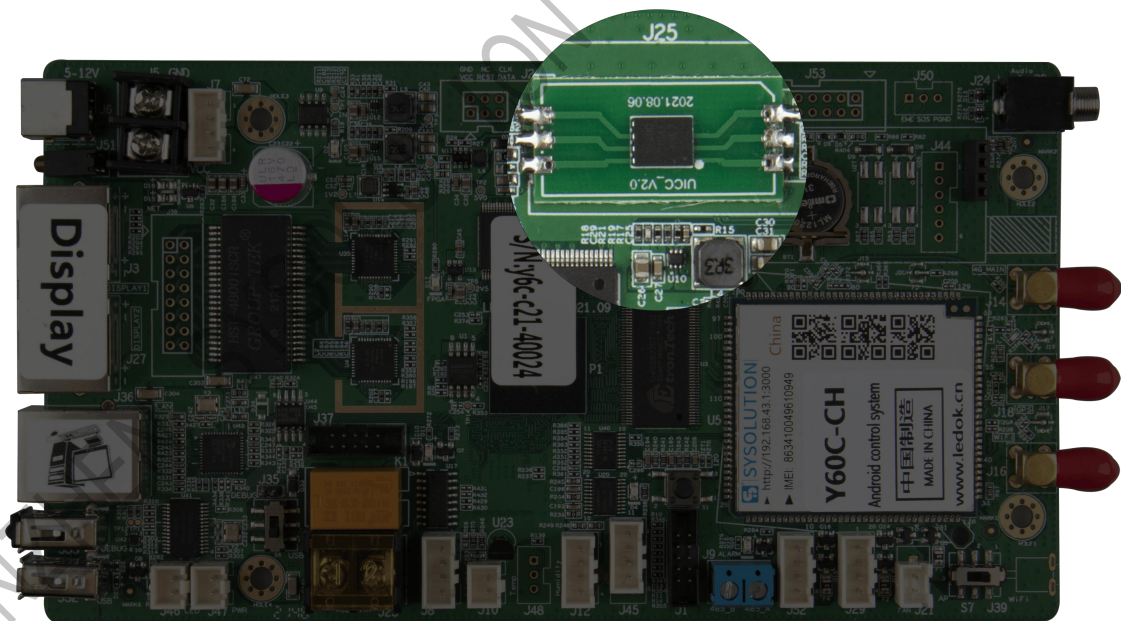
16. Through the management system, you can centrally set the timing switch, volume, and brightness;
17. Support USB camera;
18. Support NTP precise automatic time correction;
19. Supporting software: AIPS4.0 cloud platform.

SHENZHEN SYSOLUTION TECHNOLOGY CO., LTD

Product Appearance



Y60-NA/EU/LA plastic SIM card slot

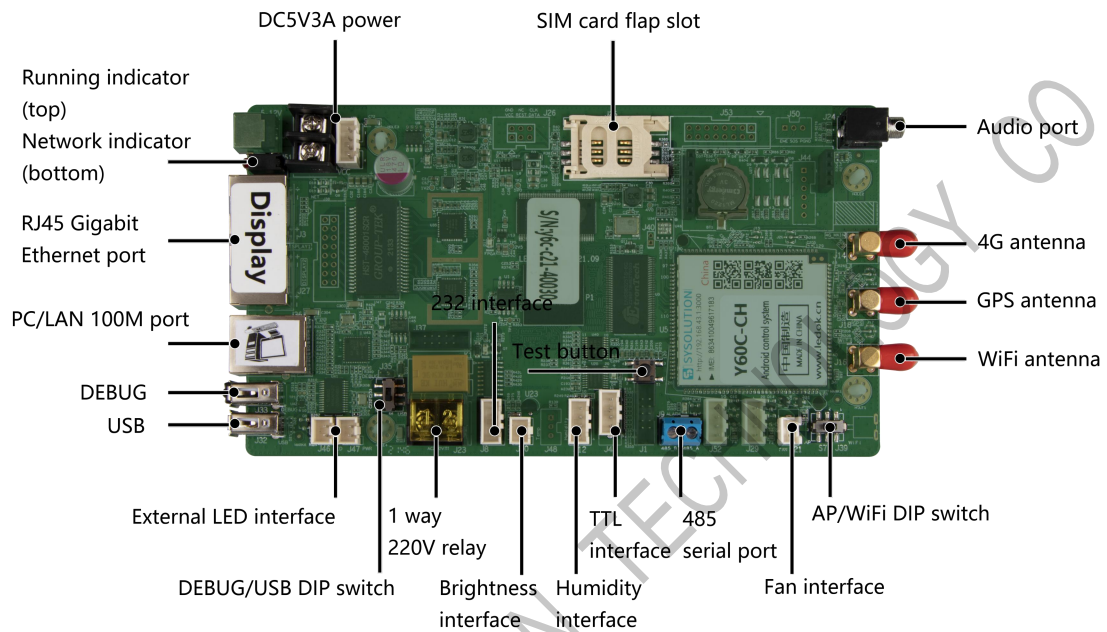


By default, Y60-CH welds iot chips. Users need to provide iot chips, which need to be provided 5 working days before delivery. Transfer card and welding test fees need to be charged (local operators need to cooperate).

Product Parameters

Features	Description
Type	Y60C, Y6m
Pixels	Y60C: 920 thousand pixels, resolution 1280 (width) *720 (height) Y6m: 920 thousand pixels, resolution 720 (width) *1280 (height)
Communication	Network port, 4G, WiFi, U disk
CPU	Quad-core A7 (32bit) Quad core 1.1GHz
GPU	A307 409.6MHz
System flash	8GB Emmc+1GB LPDDR3
Operating system	Android 5.1/Android7.1 for Y6m
WiFi	IEEE 802.11b/g/n 2.4G
GPS	GNSS GPS/Beidou/Glonass
Other interface	<ol style="list-style-type: none">1. One stereo audio output.2. One USB2.0 interface.3. Support U disk program import and play.4. One RS485\One RS232\One TTL port. Connect brightness sensor other sensor, and other module to come true its functions.
Configuration software	LedOK Express

Interface Definition



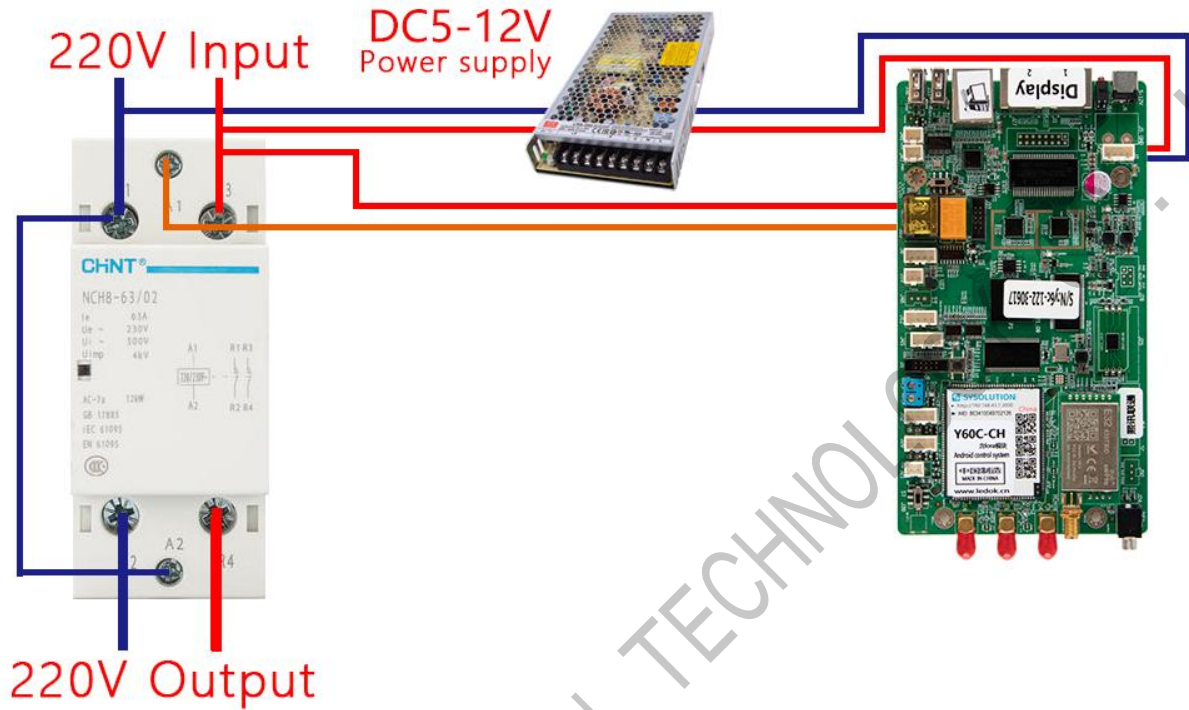
Product interface annotation

Working Condition

Working Parameters	
Working voltage (V)	4.5 ~ 6
Maximum working current (A)	2
Maximum working power (W)	10
Working temperature (°C)	- 40°C ~ + 75°C
Storage temperature (°C)	-40°C ~75°C, recommended 5°C ~35°C
Working environment humidify(%)	10% ~ 90%, No condensation
(Including) Size (mm)	216.5 (Length) ×98.1 (Width) ×31.1 (Height)
(Excluding) Size (mm)	186.6 (Length) ×93.0 (Width) ×18.0 (Height)
(Including) Weight (g)	650
(Excluding) Weight (g)	450

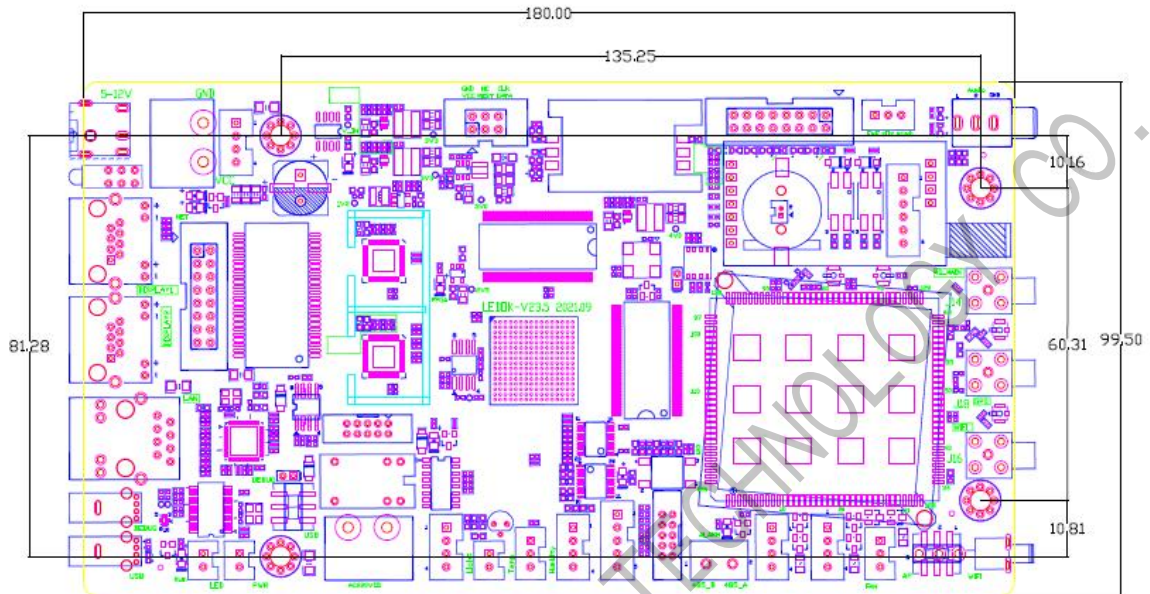
1. It is recommended to use an independent (5V3A or above) power supply for the control card;
2. Excessive operating temperature will cause the power supply efficiency to drop sharply. If the control card and the module share the same power supply, please ensure that the control card has a stable voltage and a reasonable actual current supply.

Installation of power relay



SHENZHEN SYSOLUTION TECHNOLOGY

Installation Dimensions



Unit: mm

Card installation dimensions

Accessories

Standard Accessories	Size/Quantity
WiFi Sucker antenna	3m*1
4G Sucker antenna	3m*1

Note:

Factory welding Internet of Things chip, using the Internet of Things chip provided by Xixen Technology does not need any operator whitelist operation, can be directly used, the use of self-provided Internet of things card requires real-name system, need to add platform related domain name, many unstable factors.

Advantages of its own chip: high temperature resistance, not easy to deformation, stability, not easy to fall off, long time use will not aging, reasonable charges, simple recharge, after-sales guarantee (if you need other specifications of accessories, please place an order) .

Standard Accessories	Accessories Features
Humidity line RH3 (Includes box options) Humidity line RH1 (without box, optional)	Used to detect the humidity of the current external environment
Brightness line RL3 (Includes box options) Brightness line RL2 (without box, optional)	Used to sense the brightness of the current environment
The Y60CB playback box is configured with a sending box by default (with 5V3A Power adapter)	External sending box
The Y60C raw card is configured with the Lora synchronization module by default (With 433 Synchronous sucker antenna4m*1) ,The Lora synchronization module can be subtracted	Multi-screen synchronization

Seven-In-One Temperature Sensor R67	Temperature\Humidity\Illuminance\PM2.5\Noise\Wind speed\Wind direction
Matched Accessories (Optional, additional models are available according to the order)	

要求: 1. 成品须 100%测试导通OK
2. 成品须 100%全检OK.
3. 采用环保制程, 成品
4. 符合 ROHS要求.
5. 标*为管控尺寸

工作频段 (Frequency Range)	680-2720MHZ
增益 (Gain)	5dBi
电压驻波比 (VSWR)	<2.0
极化方式 (Polarization)	Linear, Vertical
特性阻抗 (Impedance)	50 ohm

No.	Part No.	Name	Qty	Remark
1	1801-001B	400929040_4(自粘型)打孔	1/30	PE漆
2	1801-0027	410410040_4(自粘型)打孔	1	PE漆
3	1202-0001	26_340_2-无环圈-垂直弹性	1	PVC胶板
4	1703-0032	1841_B-垂直磁珠	1	磁珠
5	1703-0008	2443_240_5-铁片	1	五金配件
6	1201-0027	1_543_5411_5-485	1	胶帽
7	1701-0221	底座φ5_0XL1.0PH	3	底座
8	1701-0220	小铜管φ5_0XL1.2B	2	小铜管
9	1702-0287	铜丝-铁丝φ1_5-φ1.0_5-φ_5N-L=275_45mm	1	铜丝
10	1701-0219	φ6_08L220PH_6-平头高度-铜	1	螺母套
11	1201-0018	20_54284174-有边小铜圈	1	小铜圈底座
12	1701-0012	4_5420-铜柱	1	连接杆
13	1203-0005	3_5-直AX-普通型 L=18PH	1	直通器管
14	1101-0249	18_04174-2J-螺柱螺母	1	SMA
15	1301-0045	1_1H-40磁柱套-PE L=3030MM	1	磁柱

产品名称 (PRODUCT NAME): SMA-4G磁柱天线-174mm-L=3M
 产品料号 (PRODUCT NO): 2010-XXXX
 单位 (UNIT): 1 OF 1
 页数 (PAGE): 1 OF 1
 比例 (SIZE): 1:1
 格式 (FORMAT): A4
 设计 (DESIGN): 设计 CD S 3
 审核 (CHECK): 审核 CD S 3
 核准 (APPROVAL): 核准 CAPPD
 上海熙讯电子科技有限公司

4G Sucker antenna

(Optional, additional instructions can be provided according to the order)

Cautions

1. Forbidden to disassemble the product by yourself.
2. Forbidden to insert or remove SIM card while power is on.
3. Please do not use improper voltage for power supply.



SHENZHEN SYSOLUTION TECHNOLOGY CO., LTD