

## Mooncell Multifunctional Card M-MFN02

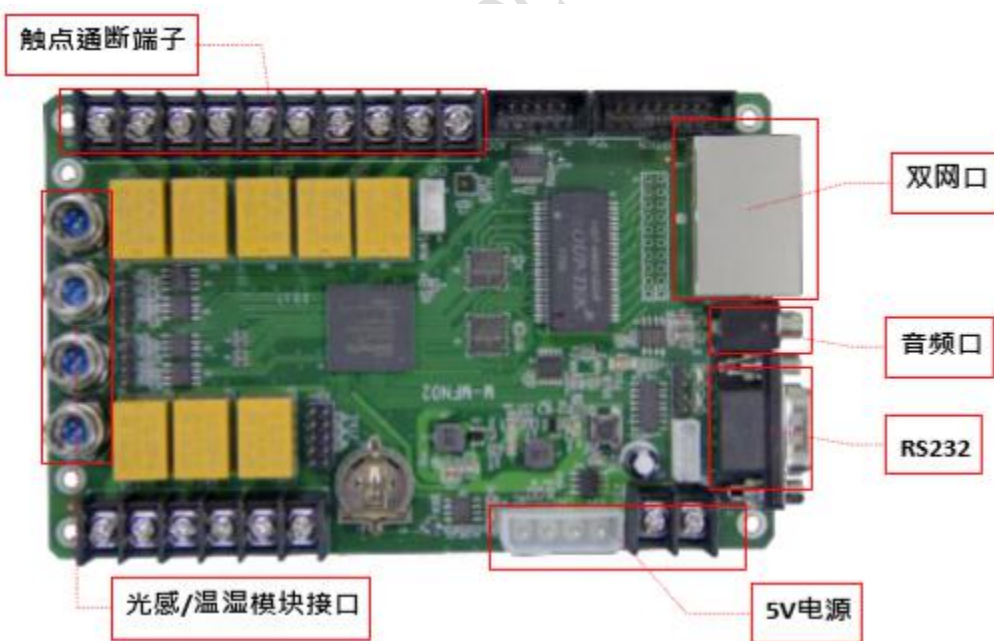
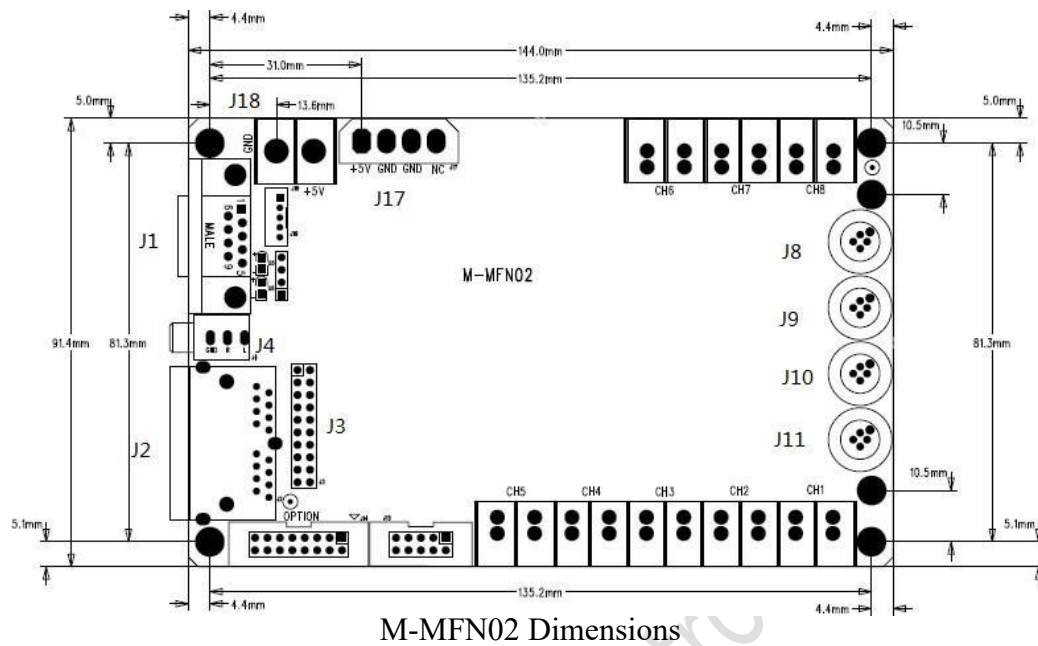


### ➤ Features

M-MFN02 is the multifunctional card from Mooncell with variety of subsidiary functions :

- It supports RS232 Serial Port Communication.
- By using the Network Ports,It can be cascading connected to the receiving cards, either between each one of them , in front of them or at the end of the receiving card.
- It has the timing function, and could be used as a timer or delayer.
- By using it to detect the temperature of the distribution box.
- It has the Audio Output.
- It can be connected to 4x Light Sensors so as to automatically adjust the brightness.
- Externally it can be connected to the Smoke Module.
- Externally it can be connected to the temperature/humidity modules.
- It has 8x power supply switches.

## ➤ Product Dimensions&Interfaces



M-MFN02接口图

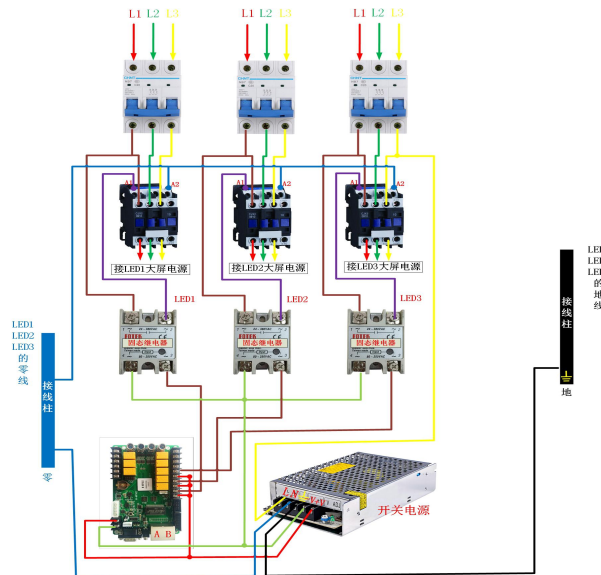
J1 Interface Definition:

PIN	1	2	3	4	5	6	7	8	9
Definition	NC	RX D	TX D	NC	GN D	NC	N C	NC	NC

Add: 1st Floor of the Comprehensive Building, Baoshi South Road, Shiyao Town, Baoan District, Shenzhen, PRC  
 Tell: 0755-23975634 29095400

## ➤ Connection

- To get it connected to the computer straightaway by using the serial port cable.
- To get it connected between the sending card(or independent main controller) and the first receiving card.
- To get it connected between any receiving cards.
- To get it connected to the last receiving card.



## ➤ Working Parameters

Power Consumption	5W
Working Voltage	DC3.5-5.5V
Working Temperature	-10°C - 65°C
Working Temperature	-20°C - 75°C
Working Humidity	0%-95%
Power Supply Voltage(V)	0-250
Power Supply Current (A)	0-3

## ➤ Standard Packaging

1. Each unit will be wrapped with Anti static double-layer bubble bag.
2. Peripherals: 5V Power Cord and CR1220 Button Sized Power Supply.
3. The light Sensor, Temperature and Smoke Sensor are not included, please kindly purchase them separately if necessary.

## ➤ Attentions

1. The installation should be done by the qualified professionals.

Add: 1st Floor of the Comprehensive Building, Baoshi South Road, Shiyan Town, Baoan District, Shenzhen, PRC  
 Tell: 0755-23975634 29095400



2. Anti Static Needed.
3. Water-Proof, Dust-Proof Needed.

Shenzhen Mooncell Electronics Co., Ltd