



Linsn Technology



# X100

## All-in-one Video Processor

# Specifications

V3.0

### Revision History

Document Version	Hardware Version	Revision Date	Note
V3.0	V4	2020/1	New edition

### Overview:

X100, designed for small fixed installation LED screen, which is a cost-effective all-in-one video processor. It integrates sender, video processor and supports USB-flash-drive plug and play. It supports up to 1.3 million pixels: up to 1920 pixels horizontally or 1080 pixels vertically

### Functions and features:

1. All-in-one video processor integrated with sender;
2. Supports USB-flash-drive plug and play;
3. With two outputs, supports up to 1.3 million pixels;
4. Supports up to 1920 pixels horizontally or 1080 pixels vertically;
5. Supports audio input and output;
6. Supports DVI/VGA/CVBS/HDMI 1.3@60Hz input;
7. Input source is switchable by specific button;
8. Supports EDID custom management;
9. Supports full-screen scaling, pixel-to-pixel scaling.

Official website: [www.linsn.com](http://www.linsn.com)

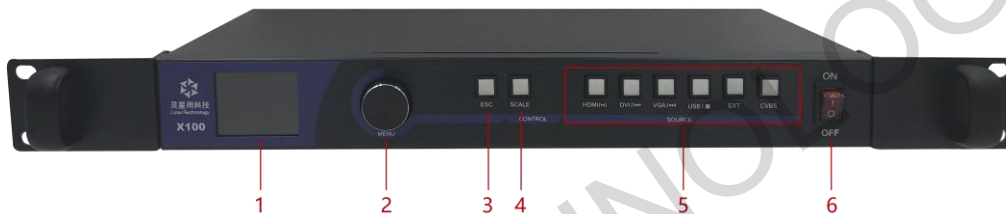
Add: Floor 15&16, Jiajiahao Business Building, No. 10168, Shennan Blvd,  
Nanshan District, Shenzhen

Tel: +86-0755-86183590/ 4008836968

## Appearance:



## Font panel



No	Interface	Description
1	LCD	For displaying menu and checking current status
2	Control Knob	1.Press down to enter menu 2. Rotate to select or set up
3	Return	Exit or return
4	Scale	Quick path for full-screen scaling or pixel-to-pixel scaling
5	Video source input selections	There are 6 buttons in this selection: (1) HDMI: HDMI input selection; (2) DVI: DVI input selection; (3) VGA: VGA input selection; (4) USB: USB Flash drive input selection; (5) EXT: Reserved; (6) CVBS: CVBS input.
6	Power	Power switch

Official website: [www.linsn.com](http://www.linsn.com)

Add: Floor 15&16, Jiayahao Business Building, No. 10168, Shennan Blvd,  
Nanshan District, Shenzhen

Tel: +86-0755-86183590/ 4008836968

<b>Input specifications</b>		
Port	QTY	Resolution specification
HDMI1.3	1	VESA standard, supports up to 1920×1080@60Hz
VGA	1	VESA standard, supports up to 1920×1080@60Hz
DVI	1	VESA standard, supports up to 1920×1080@60Hz
CVBS	1	Supports NTSC: 640×480@60Hz, PAL:720×576@60Hz
USB plug and play	1	Supports up to 1920×1080@60Hz

## Rear panel



<b>Control</b>	
No	Description
1	RS232, for connecting PC
2	USB, for connecting PC to communicate with LEDSET to do the setup and upgrade

<b>Input</b>		
No	Interface	Description
3,4	AUDIO	Audio input and output
5	CVBS	PAL/NTSC standard video input

Official website: [www.linsn.com](http://www.linsn.com)

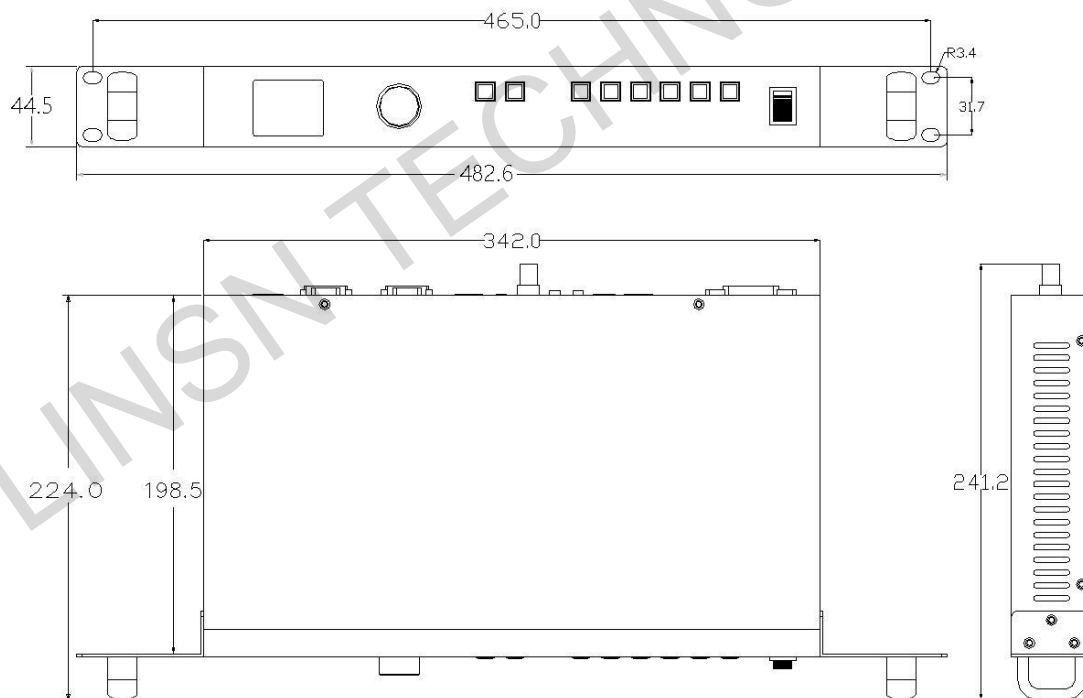
Add: Floor 15&16, Jiayahao Business Building, No. 10168, Shennan Blvd,  
Nanshan District, Shenzhen

Tel: +86-0755-86183590/ 4008836968

6	USB	For playing program via flash drive * Image format supported: jpg, jpeg, png, bmp * Video format supported: mp4, avi, mpg, mov, rmvb
7	HDMI	HDMI1.3 standard, supports up to 1920*1080@60Hz and backward compatible
8	VGA	Supports up to 1920*1080@60Hz and backward compatible
9	DVI	VESA standard, supports up to 1920*1080@60Hz and backward compatible

Output		
No	Interface	Description
10	Network port	Two RJ45 outputs, for connecting receivers. One output supports up to 650 thousand pixels

## Dimensions:



Official website: [www.linsn.com](http://www.linsn.com)

Add: Floor 15&16, Jiajiahao Business Building, No. 10168, Shennan Blvd,  
Nanshan District, Shenzhen

Tel: +86-0755-86183590/ 4008836968

**Specifications:**

Power	Working Voltage	AC 100-240V, 50/60Hz
	Rated power consumption	15W
Working Environment	Temperature	-20°C ~ 70°C
	Humidity	0%RH ~ 95%RH
Physical Dimensions	Dimensions	482.6 * 241.2 * 44.5 (unit: mm)
	Weight	2.1 Kg
Packing Dimensions	Packing	PE protective foam and carton
	Carton Dimensions	48.5 * 13.5 * 29 (unit: cm)

**END**