

# Product Specifications

Single Color Wi-Fi Control Card

**HD-W04**

V4.2 20200702

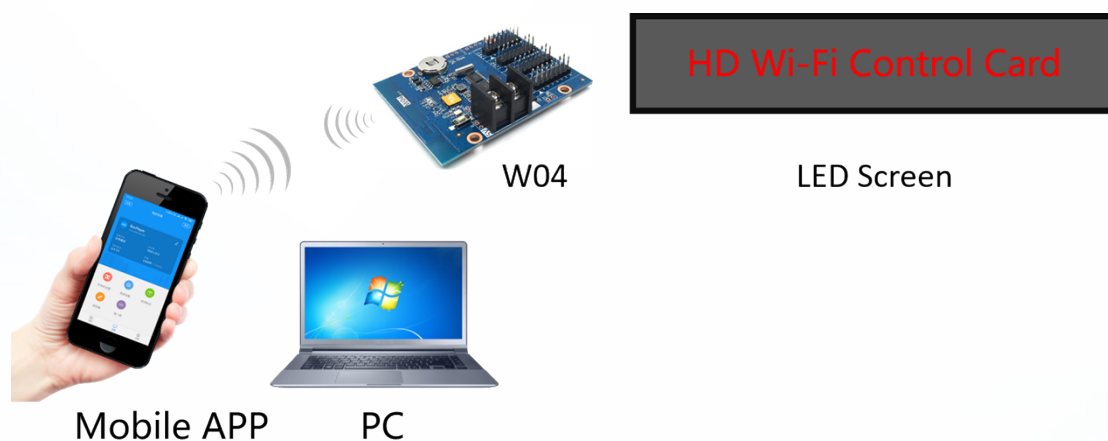
## 1. Overview

W04 is a low cost, high cost-effective single color Wi-Fi controller, easy to operate, better display information, supports variety kinds of single-color display. For the door lintel screen, store screen and other places information display.

Application software: HD2018, HD2020 and LedArt (APP)

## 2. Connection Demo

The mobile phone and laptop can be connected to the Wi-Fi hotspot of the control card to update the program.



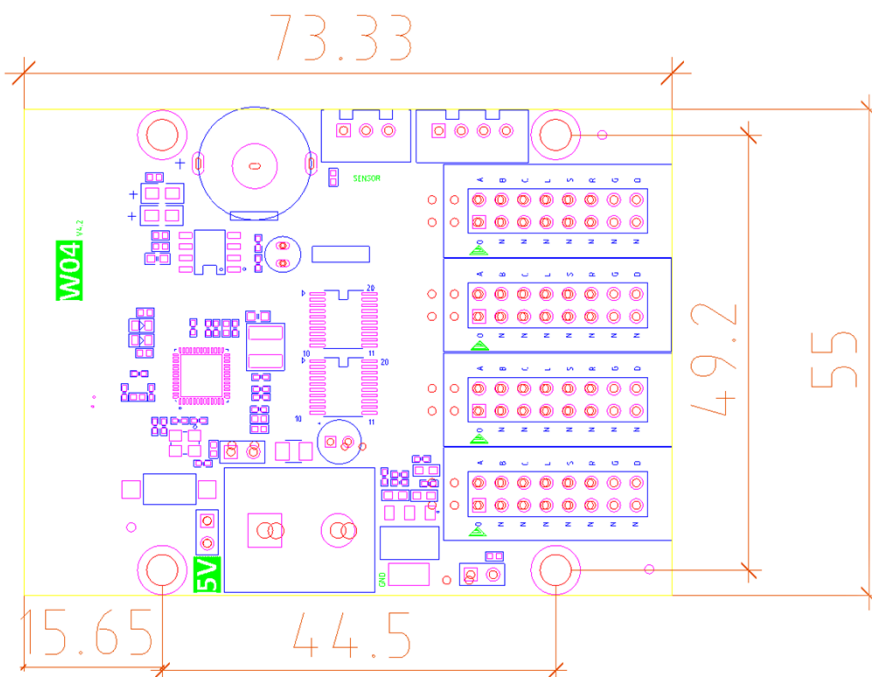
## 3. Product Features

1. Wi-Fi on board, Eliminate installation trouble
2. Support program border, regional border settings, custom borders
3. A variety of action display
4. Support for simple animations word
5. More than 20 kinds of text effects display
6. Support temperature, Humidity, IR remoter

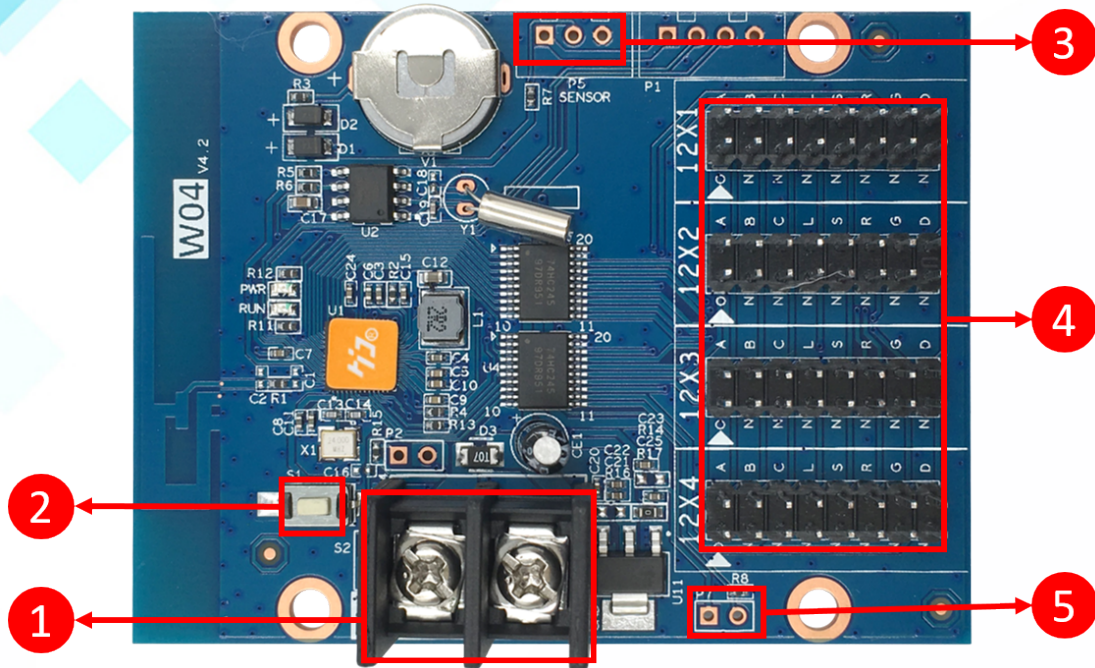
## 4. Functions List

Control range	Single color: 768*64, 1024*48, 1536*32
FLASH Capacity	1M Byte
communication	Wi-Fi
Program Quantity	Max 1000pcs, Can play by time section or control by buttons
Area Quantity	20areas with separate zone, and separated special effects and border
Display Showing	Text, timing, temperate, humidity, Count, Lunar calendar
Display	Sequence display
Clock Function	1、 Support Digital Clock, Dial Clock, Lunar Time 2、 The Font, size, color and position can be set freely 3、 support multiple time zones
Extended Equipment	Temperatures, Humidity, Photosensitive sensor
Automatic Switch screen	Support timer switch machine
Dimming	Support three brightness adjustment mode
Power	3W

## 5. Dimension Chart

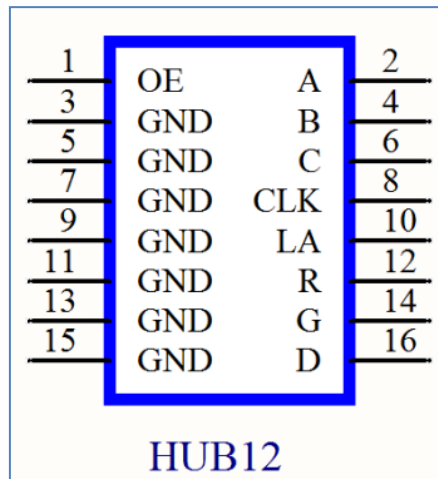


## 6. Interface Description



- ① Power connector, Connect 5V power supply,
- ② Test button, Click to switch screen test status,
- ③ P5: Connect the temperature/humidity sensor,
- ④ HUB12(Black color) & HUB08(Yellow color): Connect the display,
- ⑤ P7: Connect the brightness sensor.

## 7. HUB12 port Definition



## 8. Basic Parameters

	Minimum	Typical	Maximum
<b>Rated voltage(V)</b>	4.2	5.0	5.5
<b>Storage temperature(°C)</b>	-40	25	105
<b>Work environment temperature(°C)</b>	-40	25	80
<b>Work environment humidity (%)</b>	0.0	30	95
<b>Net weight (kg)</b>			
<b>Certificate</b>	CE, FCC, RoHS		

### Precautions

- To ensure that the control card is stored during normal operation, make sure the battery on the control card is not loose.
- In order to ensure the long-term stable operation of the system, please try to use the standard 5V power supply voltage