

Product specifications

Single dual color LED display controller
HD-U64A

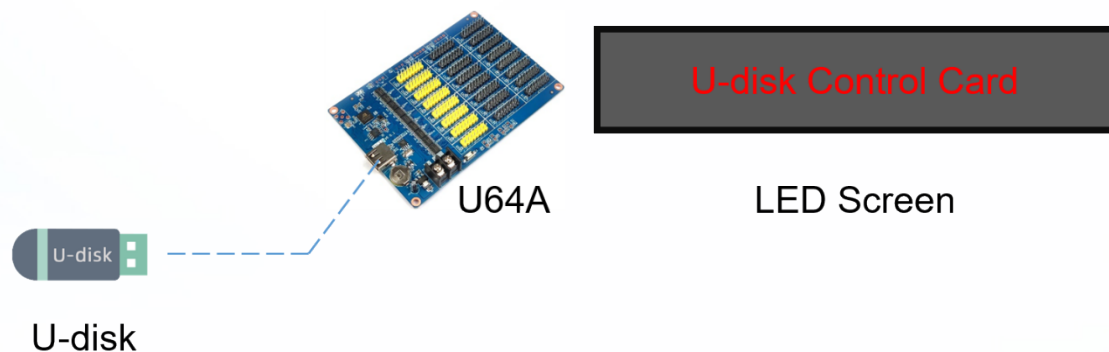
V6.0.1 20210709

1. Overview

HD-U64A is a control card with USB port for door banner screens, store signboards, bank announcement screens, community information publicity screens and other occasions. It can update the display program through U-disk. High cost-effective, simple software interface, convenient operation, rich display effects, high performance, supports various single and dual color LED displays with HUB12 port or HUB08 port.

Operating software: Huidu Technology sixth-generation display operating software HD2018/HD2020.

2. Working Diagram of updating program



3. Main Features

- 1) 16 groups of HUB12 ports and 8 groups of HUB08 ports.
- 2) Supports border function of program and area, also special borders.
- 3) Supports various text effects for meet most application scenarios.
- 4) Supports font hollow, stroke and other designs.
- 5) Supports up to 20 areas of program content, free layout.
- 6) Supports external sensors such as temperature, humidity, brightness,

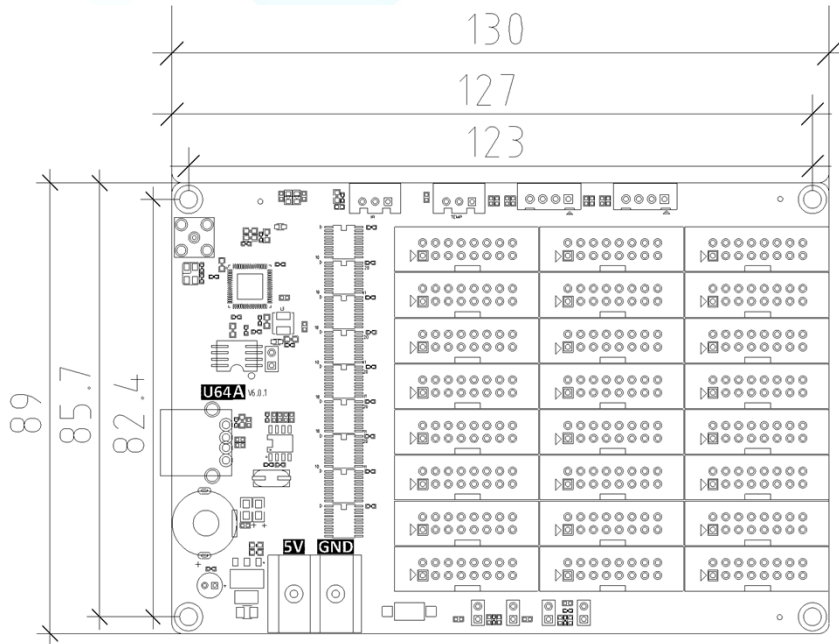
IR remote, PM2.5/PM10, etc.

- 7) Support multiple displays such as animated characters, colorful characters, animated backgrounds, etc.

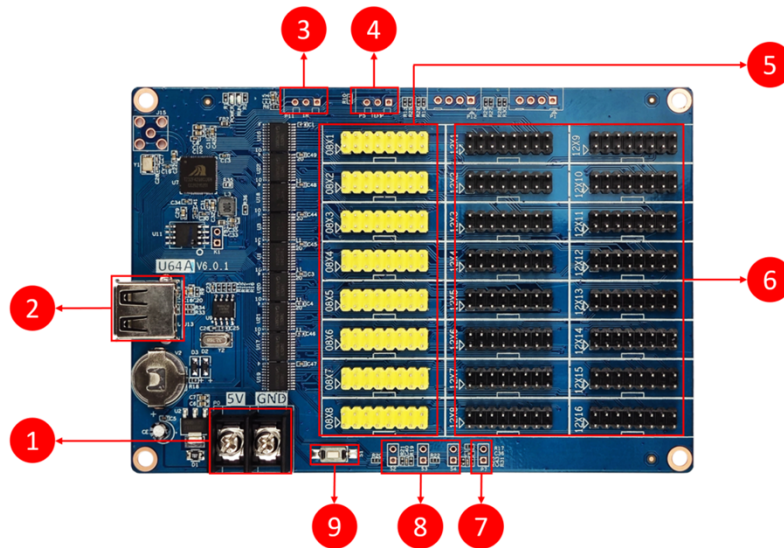
4. Feature sheet

Functions	Features
Loading capacity	Single color: 512W*256H, (widest 3072, highest 256 pixels)
FLASH capacity	8M Byte
Communication method	U-disk
Programs quantity	Support MAX 1000pcs Programs
Area Quantity	Support MAX 20 areas with separate zone, and separated special effects and border.
Program contents	Support running text, time, count, digit, animation, temperature and humidity, excel, traditional Chinese calendar, offline weather.
Play mode	Play in order, switch by button, switch by IR remote.
Clock function	<ol style="list-style-type: none"> 1. Support perpetual calendar, analog clock, lunar calendar 2. Counting up and down display 3. The font, font size, color, position, etc. can be set arbitrarily 4. Support multi-time zone display
Extended Equipment	Temperature, humidity, IR remote, brightness, PM2.5/PM10 etc. sensors
Screen on/off	Support screen on/off by time automatically
Brightness adjustment	Support 3 modes: adjust by hand, adjust by sensor automatically, adjust by time automatically.
Product power	3W

5. Dimension parameter for installation



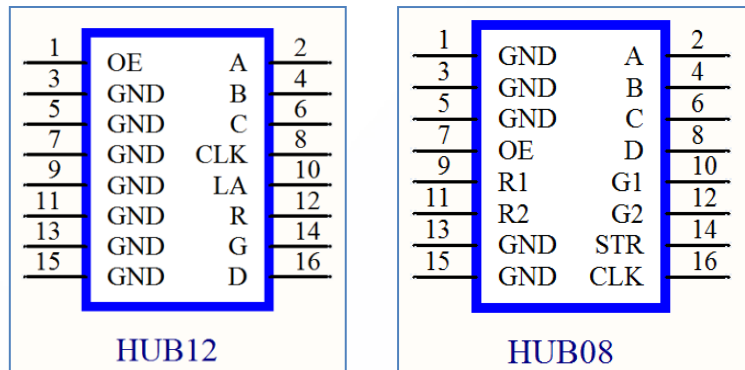
6. Interface Description



- ① Power supply connector, to connect 5V power supply.
- ② USB port, to update program content and settings by U-disk.
- ③ IR remote connector, to connect IR remote sensor.
- ④ P5, to connect temperature / humidity sensor.

- ⑤ HUB08 port, to connect LED display with HUB08 port.
- ⑥ HUB12 port, to connect LED display with HUB12 port.
- ⑦ P7, to connect brightness sensor, adjust brightness automatically.
- ⑧ S2/S3/S4 switch ports: S2 can be set as a button for next program, timer starts or count plus; S3 can be set as a button for previous program, timer reset or count down; S4 can be set as a button for program control, time pause, count reset.
- ⑨ Test button, to test LED module.

7. HUB08/HUB12 interface definition



8. Technical parameters

	Minimum	Typical value	maximum
Rated voltage(V)	4.2	5.0	5.5
Storage temperature (°C)	-40	25	105
Working environment temperature (°C)	-40	25	80
Working environment humidity (%)	0.0	30	95
Product net weight (kg)			
Product certificate	CE、FCC、RoHS		

9. Precautions

- To ensure that the control card is stored during normal operation, make sure the battery on the control card is not loose.
- In order to ensure the long-term stable operation of the system, please try to use the standard 5V power supply voltage.