

Product Specifications

Receiving card

HD-R708

V1.0

1. Overview

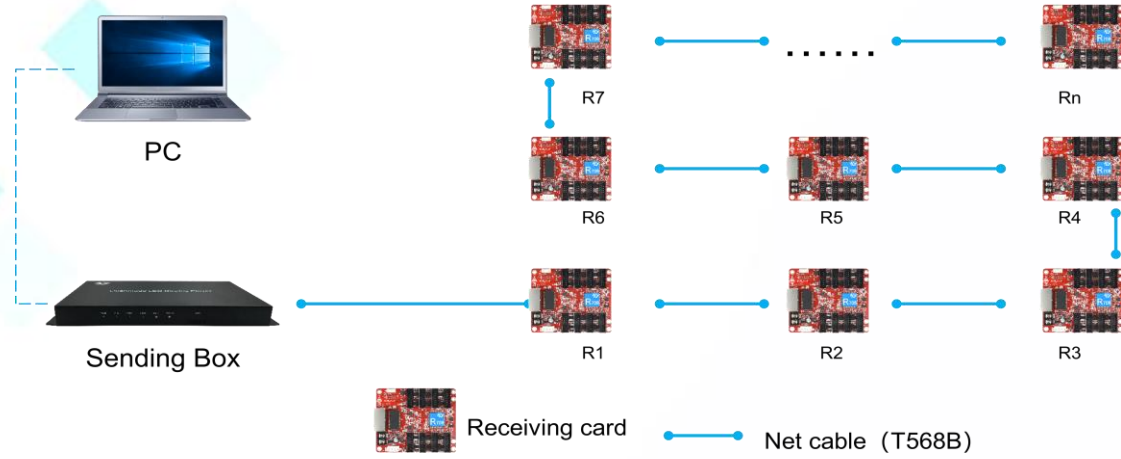
R708 Ton-board 8*HUB75E ports, compatible with R series receiving card, it work with asynchronous sending card, synchronous sending card and all-in-one LED controller.

2. Parameters

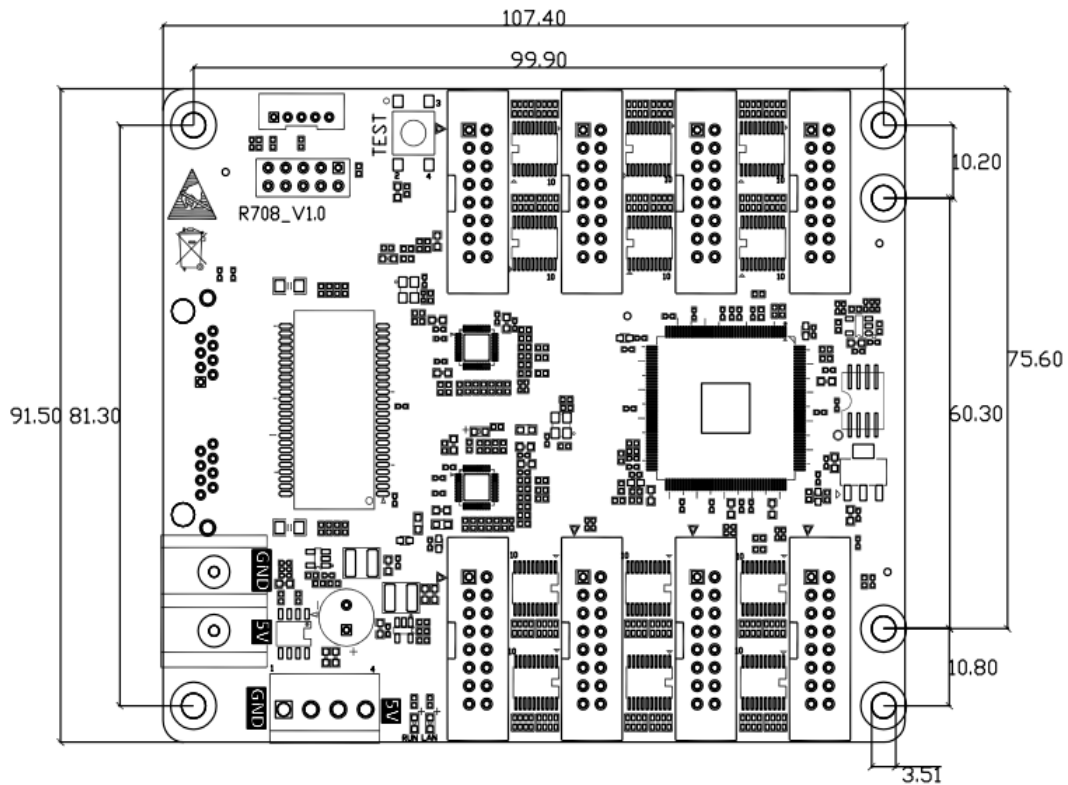
With sending card	Dual-mode sending box, Asynchronous sending card, Synchronous sending card, Video processor of VP series.
Module type	Compatible with all common IC module, supported most PWM IC module.
Scan mode	Supports any scanning method from static to 1/128 scan
Communication method	Gigabit Ethernet
Control range	Conventional chip: 128*512 pixels, PWM chip: 256*512 pixels Large range: P1.667, P1.538, P1.25 can all be fully loaded with 8 ports
Multi-card connection	Receiving card can be put in any sequence
Gray scale	256~65536
Smart setting	A few simple steps to complete the smart settings, through the screen layout can be set to go with any alignment of the screen unit board.
Test functions	Receiving card integrated screen test function, Test display brightness uniformity and display module flatness.
Communication distance	Super Cat5,Cat6 network cable within 80 meters
Port	5V DC Power*2,1Gbps Ethernet port*2, HUB75E*8
Input voltage	4.0V-5.5V
Power	5W

3. Connection method

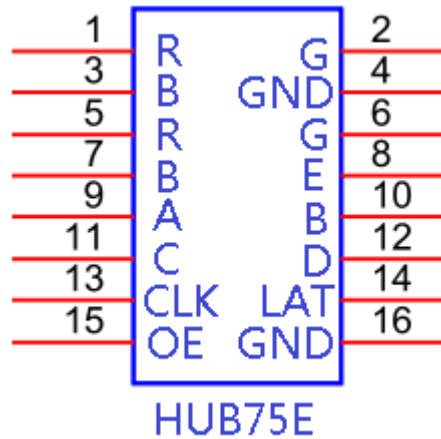
Connection diagram of connecting R708 with player A6:



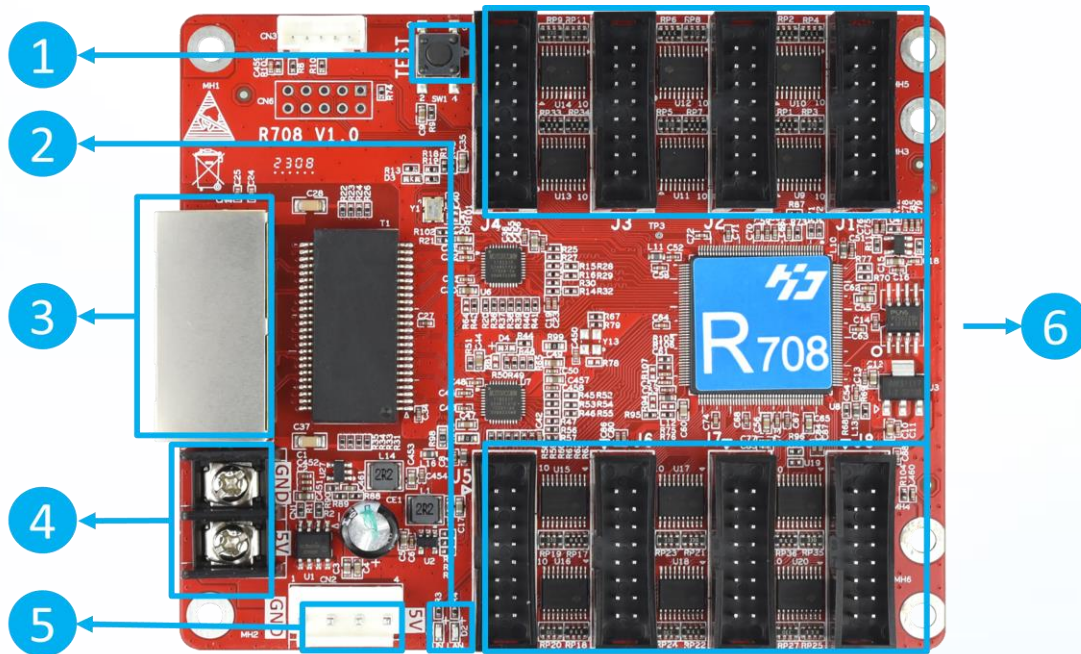
4. Dimensions



5. Interface definition



6. Appearance Description



①: Test button, used to test display brightness uniformity and display module flatness.

②: Work indicator, D1(RUN) flashes to indicate that the control card is running normally. D2 (LAN) flashes quickly to indicate that Gigabit has been recognized and data is being received.

- ③： Gigabit Ethernet port, used to connect the sending card or receiving card, the same two network ports are interchangeable.
- ④： Power interface, can be accessed with 4.0V ~ 5.5V DC voltage.
- ⑤： Power interface, can be accessed with 4.0V ~ 5.5V DC voltage.
- ⑥： HUB75Eport, connect to the LED modules

7. Technical Parameters

	Minimum	Typical	Maximum
Rated voltage(V)	4.0	5.0	5.5
Storage temperature(°C)	-40	25	105
Work environment temperature(°C)	-40	25	75
Work environment humidity (%)	0.0	30	95
Net weight (g)	≈77		
Certificate	CE, FCC, RoHS		

Precautions

- 1) ensure the system long-term stable running, please keep to use the standard 5V power supply voltage.
- 2) Different production batches, color appearance and labels may be different.