



PRODUCT SPECIFICATION

Multimedia Player
HD-H4K

Version: V1.0

Update history::

Release version	Release time	Release notes
V1.0	May 8, 2024	First release.

1. Overview

HD-H4K is a 4K HDMI output multimedia player that supports playing videos, pictures, GIF animations, text, Office documents, tables, clocks, timings, weather, QR codes, environmental data and other program contents.

It comes standard with dual-band Wi-Fi and supports mobile APP - "Screen Control" wireless control; supports optional mobile phone/tablet wireless screen projection function; supports access to the "XiaoHui Cloud" platform to easily realize remote cluster management on the Internet; onboard 64GB large-capacity storage space makes asynchronous playback worry-free.

HD-H4K has high video playback performance, simple software operation and complete functions. It can be applied to displays in various advertising media, digital signage, exhibition halls, commercial displays and other fields.

2. Features

Input:

1. Supports 1 100M network port, allowing the device to access the LAN or the Internet for program release or terminal control;
2. Supports 1 channel OTG (default USB mode) and 1 channel USB 3.0 communication interface, which can be used to update/insert programs and expand capacity;
3. Supports 1-way SD card interface, which can be used to insert programs and expand capacity.

Output:

1. 1 HDMI OUT 2.0 output, support 4K display, and supports a maximum width of 16,384 pixels or a maximum high of 4,096 pixels. connected to a monitor or LED video processor, the playback window size can be automatically adjusted according to the EDID of the display;
2. 1 channel TRS 3.5mm standard two-channel audio output.

Function:

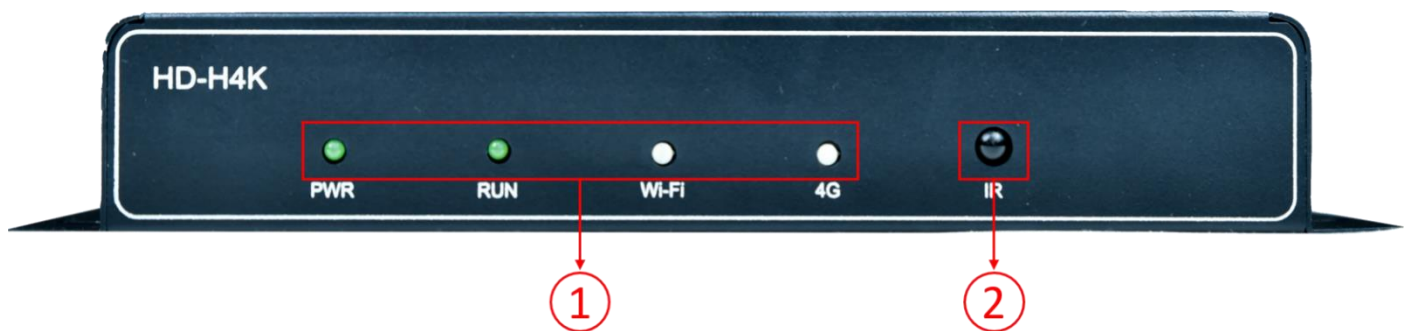
1. Comes standard with 2.4GHz and 5GHz Wi-Fi, and supports dual-mode switching between Wi-Fi AP and Station;
2. Support multi-channel video window playback (up to 2 channels of 4K or 6 channels of 1080P or 10 channels

of 720P or 20 channels of 360P);

3. Supports wireless screen projection on mobile phones, tablets and computers;
4. Support canvas settings (open by default). Through canvas settings, point-to-point display can be supported;
5. Supports Internet remote cluster management (supports optional 4G/5G networking);
6. Support RS232 docking central control protocol;
7. Supports installation of third-party APK.

3. Appearance Description

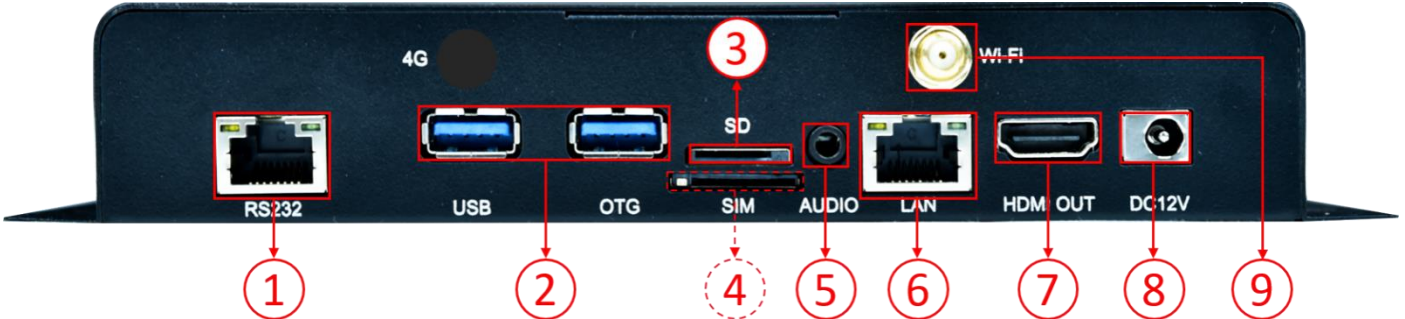
Front panel:



No.	Name	Illustrate
1	Work indicator light	<p>PWR: Power indicator light, the green light is always on, and the power input is normal;</p> <p>RUN: System running light, the green light flashes, the operating system is running normally; the green light is always on or off and the system is running abnormally;</p> <p>Wi-Fi: Wireless indicator light, in AP mode, the green light flashes; in STA mode, the green light is always on;</p> <p>The red light is flashing, the Wi-Fi is abnormal, and the light is off; the Wi-Fi bridge cannot connect to the server, and the yellow light is always on;</p> <p>4G: Communication network indicator, the green light is always on, the connection to the cloud server is successful; the yellow light is always on, the cloud service cannot be connected; the red light is always on, there is no signal or the SIM is in arrears or cannot dial; the red light is flashing, not detected.</p>

2	IR receiver	Used to switch programs, adjust brightness, volume, etc. (no infrared indicator light)
---	--------------------	--

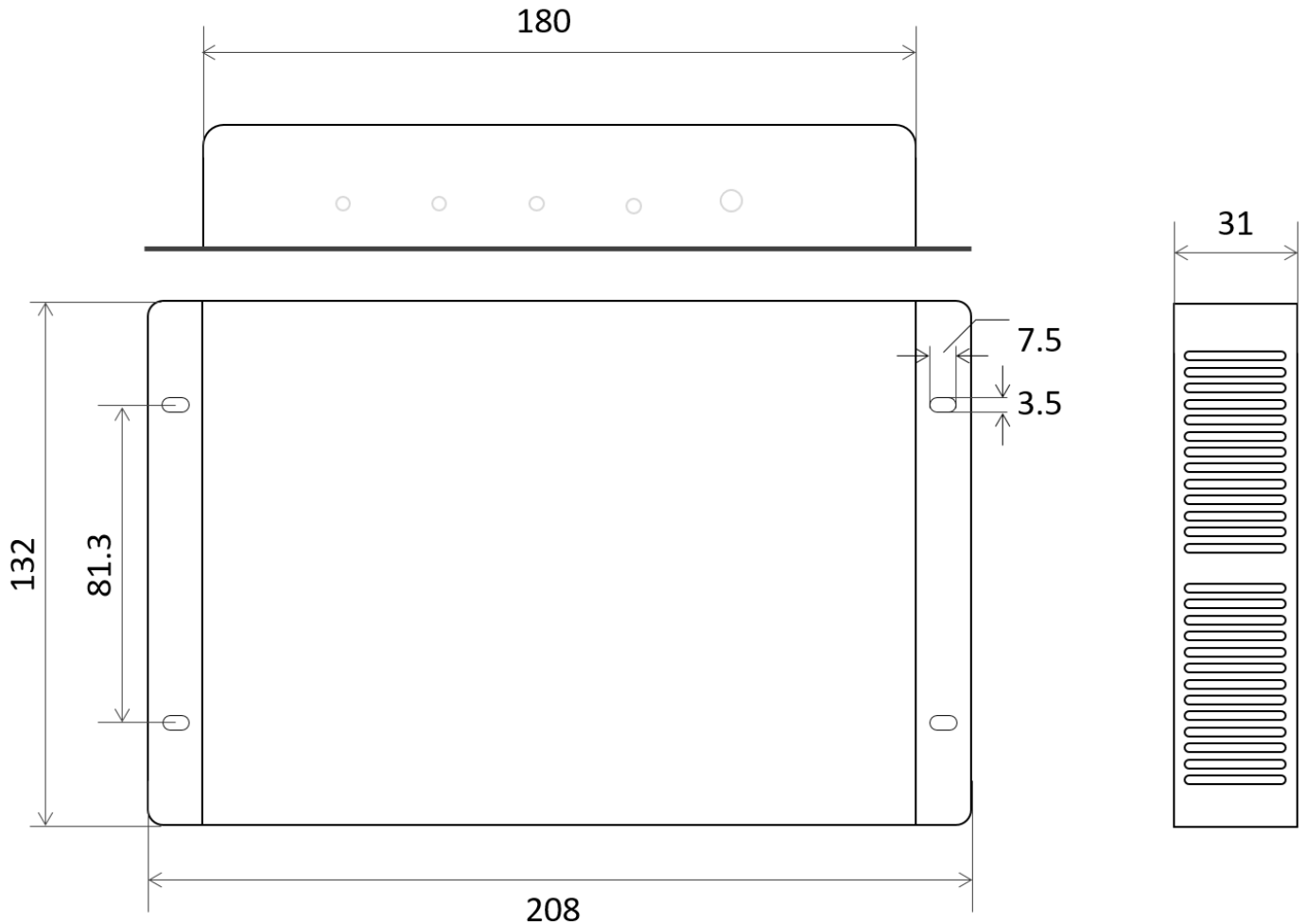
Rear panel:



No.	Name	Illustrate
1	RS232 serial port	Docking central control agreement
2	USB interface	USB: USB3.0, used to update programs, insert programs or expand capacity OTG: used for debugging or upgrading firmware (default U disk function, factory configurable) standard
3	SD card slot	Suitable for TF card expansion storage or program insertion
4	SIM card slot	Standard SIM card slot, providing 4G networking for remote control (available with optional 4G module)
5	Audio output	TRS 3.5mm standard two-channel audio output port
6	Input network port	100M input network port for program release or terminal control
7	HDMI OUT	HDMI 2.0 output interface, connected to a monitor or LED video processor, can automatically adjust the playback window size according to the EDID of the display screen
8	power supply	12V 1.5A
9	Wi-Fi antenna	Connect Wi-Fi antenna to enhance wireless signal

4. Dimensions

Dimensions (mm):



Tolerance: ± 0.3 Unit: mm

5. Parameters

1. Basic Parameters

Electrical parameters	Input power	DC 12V
	Maximum power consumption	18W
Storage	Running memory	4GB

	Internal storage	64GB
Storage environment	Temperature	-40℃~80℃
	Humidity	0%RH~80%RH (no condensation)
Working environment	Temperature	-40℃~70℃
	Humidity	0%RH~80%RH (no condensation)
Packaging Information	<p>Checklist:</p> <ul style="list-style-type: none"> 1xHD-H4K 1xHDMI cable 1xpower adapter 1xWiFi glue stick antenna 1xcertificate <p>Note: 1 4G antenna is optional with the 4G module</p>	
Size	208mm×132mm×31mm	
Net weight	0.6KG	
Protection level	<p>IP20</p> <p>Please pay attention to waterproofing, such as preventing water from dripping into the product, and do not get wet or rinse the product</p>	
System software	<p>Android11.0 operating system software</p> <p>Android terminal application software</p>	

2. Picture Decoding Specifications

Category	Decoding	Size	Format	Remark
JPEG	JFIF file fommat 1.02	48x48 to 8192x8192	JPG、 JPEG	Non-interlaced scanning is not supported, support SRGB JPEG, support AdobeRGB JPEG
BMP	BMP	Unlimited	BMP	NA
GIF	GIF	Unlimited	GIF	NA
PNG	PNG	Unlimited	PNG	NA
WEBP	WEBP	Unlimited	WEBP	NA

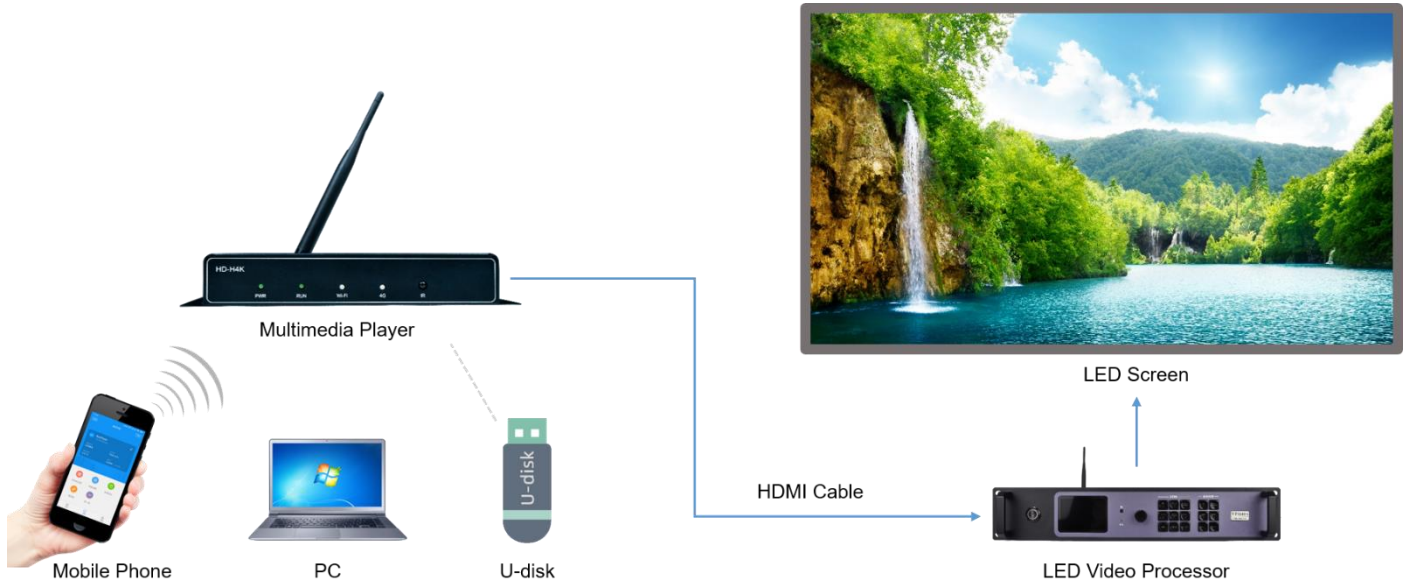
3. Video Decoding Specifications

Category	Decoding	Resolution	Maximum frame rate	Maximum bitrate	Format	Remarks
MPEG-1/2	MPEG-1/2	1920x1088	60fps	80Mbps	DAT、 MPG、 VOB、 TS	Support Field Coding
MPEG-4	MPEG-4	1920x1088	60fps	38.4Mbps	AVI、 MKV、 MP4、 MOV、 3GP	Unsupport MS, MPEG4, v1/v2/v3, GMC
H.264/AVC	H.264	4096x2304	2304P@60fps	80Mbps	AVI、 MKV、 MP4、 MOV、	Support field Coding, MBAFF

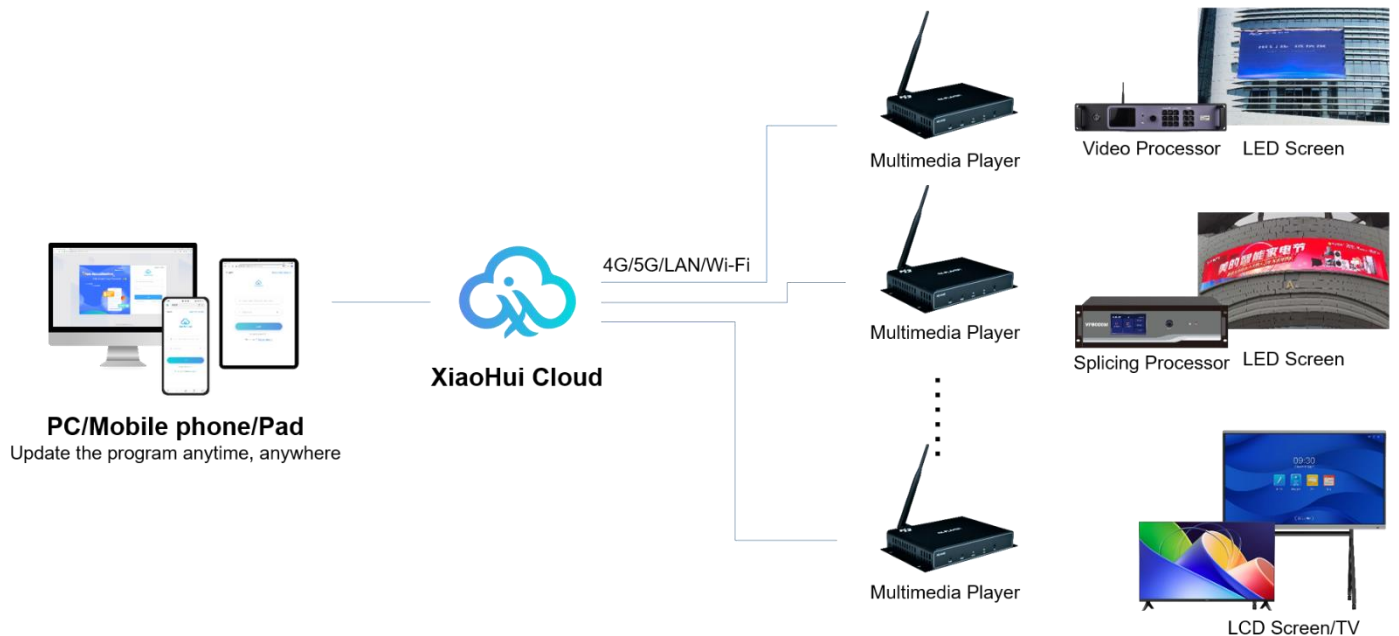
					3GP、TS、 FLV	
MVC	H.264 MVC	4096x2304	2304P@6 0fps	100Mbps	MKV 、 TS	Only support stereo High Profile
H.265/HEVC	H.265/HE VC	4096x2304	2304P@6 0fps	100Mbps	MKV 、 MP4、 MOV 、 TS	Support main Profile, Tile & Slice
GOOGLE VP8	VP8	1920x1088	60fps	38.4Mbps	WEBM 、 MKV	NA
GOOGLE VP9	VP9	4096x2304	60fps	80Mbps	WEBM 、 MKV	NA
H.263	H.263	720x576	60fps	38.4Mbps	3GP、 MOV、 MP4	Unsupport H.263+
VC-1	VC-1	48x48 to 1920x1088	30fps	45Mbps	WMV、 ASF、 TS、 MKV、 AVI	NA
MOTION JPEG	MJPEG	48x48 to 1920x1088	60fps	60Mbps	AVI	NA

6. Application Scenarios

1. Stand-alone control, supports Wi-Fi, network port direct connection, and USB interface for communication. Users can freely choose how to update programs.



2. Supports remote cluster control over the Internet, enabling easy management without leaving home.



3. Supports wireless screen casting on mobile phones and tablets (optional function), with ultra-low latency screen casting effect.



7. Product Appearance





Statement:

All rights reserved © 2024 Shenzhen Huidu Technology Co., Ltd.

Without the authorization of Shenzhen Huidu Technology Co., Ltd., no unit or individual may imitate, copy, modify or translate part or all of the contents of this specification.

Due to factors such as production batches, production processes, functional upgrades, etc., our company will appropriately adjust and revise relevant pictures, text descriptions, product parameters and other related content. In the event of the above situation, no further notice will be given. The product pictures in the specifications are only for reference, please refer to the actual product.