



# Product Specifications

Full Color Asynchronous Control Card

**HD-D15**

V1.2 20190221

# 1. System Overview

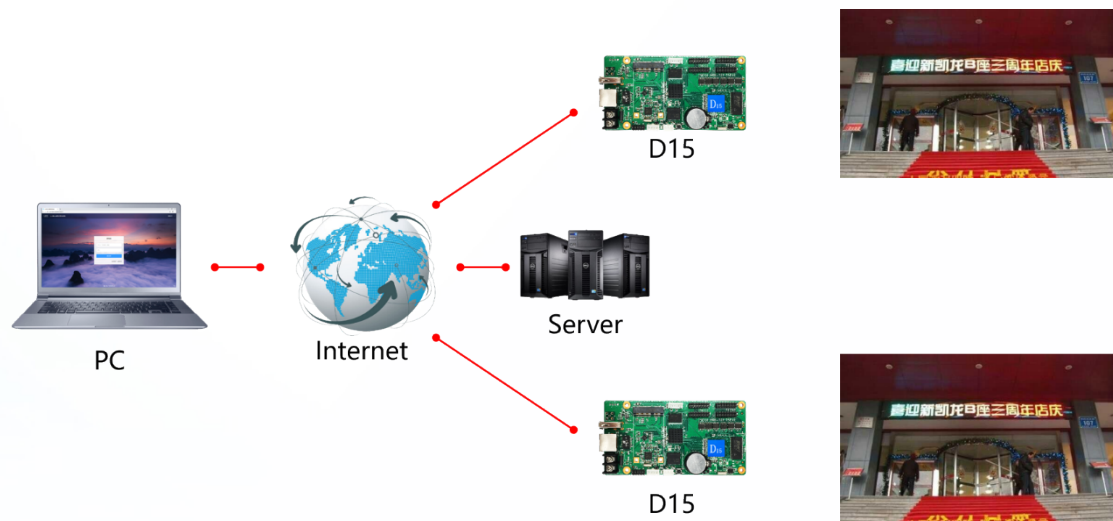
HD-D15 Full Color Asynchronous Controller System is a LED control system that supports mobile APP control, Web remote control and offline play HD Video.

Supporting computer control software HDPlayer, mobile phone control software LedArt and HD technology clouds management platform.

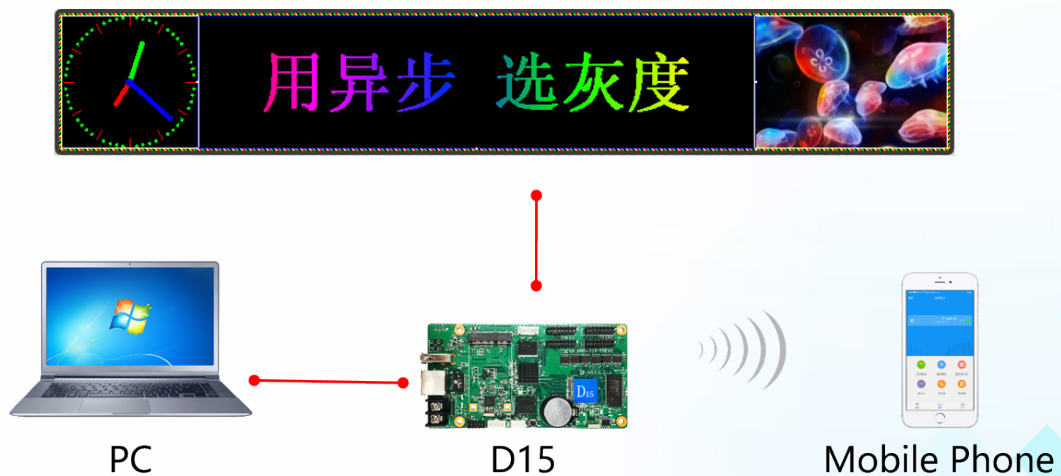
HD-D15 can play offline with on-board 4GB storage space which is for storing program files.

# 2. Application Scenario

1. The Internet cluster management diagram is as follows:



2. The control card can be connected directly with the computer or Wi-Fi (optional) to update the programs, as shown below:



Note: D15 support update programs by U disk or removable hard disk.

### 3. Product Features

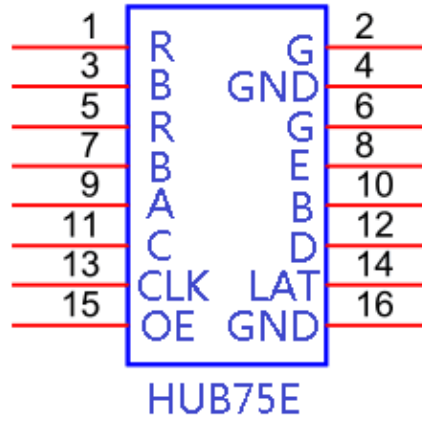
1. Support all kinds of door full-color module,
2. Control Range: 40,960 pixels,
3. Support 256~ 65536 gray level,
4. Support the word art, animation background, neon light effect,
5. U-disk unlimited expansion program, plug in broadcast,
6. No need set IP, HD-D15 could be identified by controller ID automatically,
7. Support 4G/Wi-Fi/ and network cluster management remote management,
8. Support 720P video hard decode, 60Mhz frame rate output.

### 4. System Function list

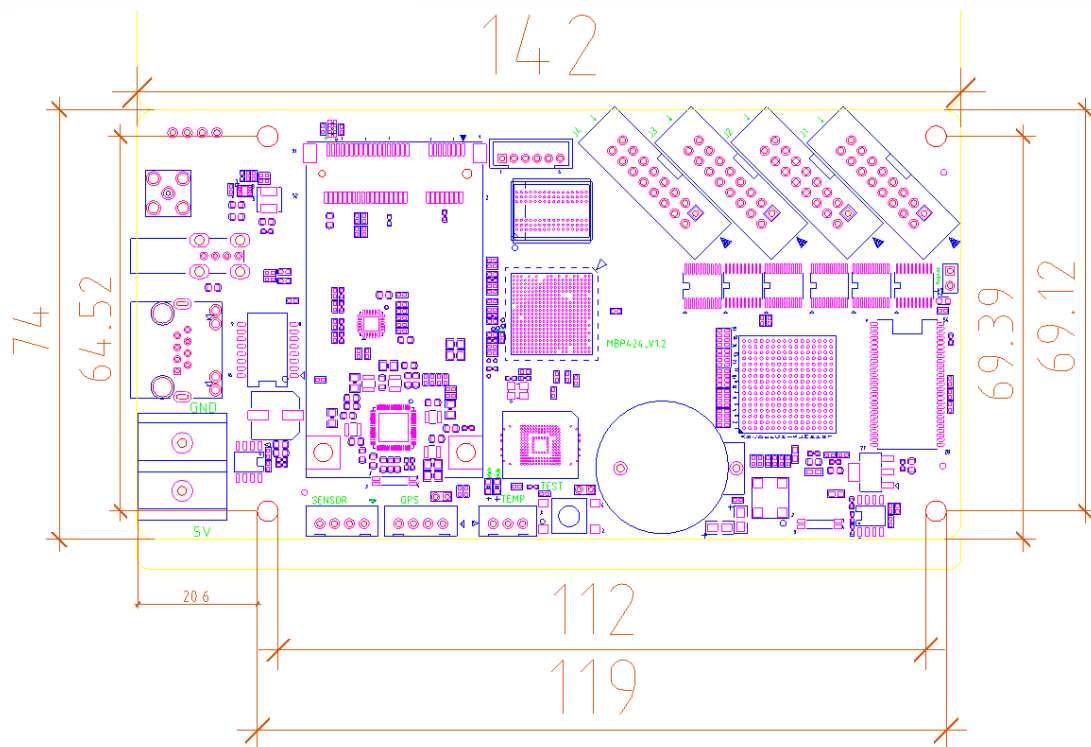
Module type	Static to 1/64 scan mode
Control Range	40,960 pixels (640*64), Widest:640, highest:128
Gray Scale	256~65536
Video Formats	60Hz frame rate output, support 720P video hardware decoding, direct transmission, no trans-coding waiting. AVI, WMV, MP4, 3GP, ASF, MPG, FLV, F4V, MKV, MOV, DAT, VOB, TRP, TS, WEBM, etc.
Animation Formats	SWF、FLV 、GIF
Image Formats	BMP、JPG、JPEG、PNG etc.
Text	Support text message editing, inserting picture;
Time	analog clock, digital clock and a variety of dial clock functions
Other function	Neon, animations function; Clockwise/counter-clockwise count; support temperature and humidity; Adaptive brightness adjustment function
Memory	4GB memory, more than 4 hours' program support. Indefinitely expanding memory by U-disk;
Communication	U-disk; Wi-Fi; LAN/4G/Wi-Fi.
Port	5V Power *1, 10/100M RJ45 *1, USB 2.0 *1, HUB75E *1
Power	5W

## 5. Interface Definition

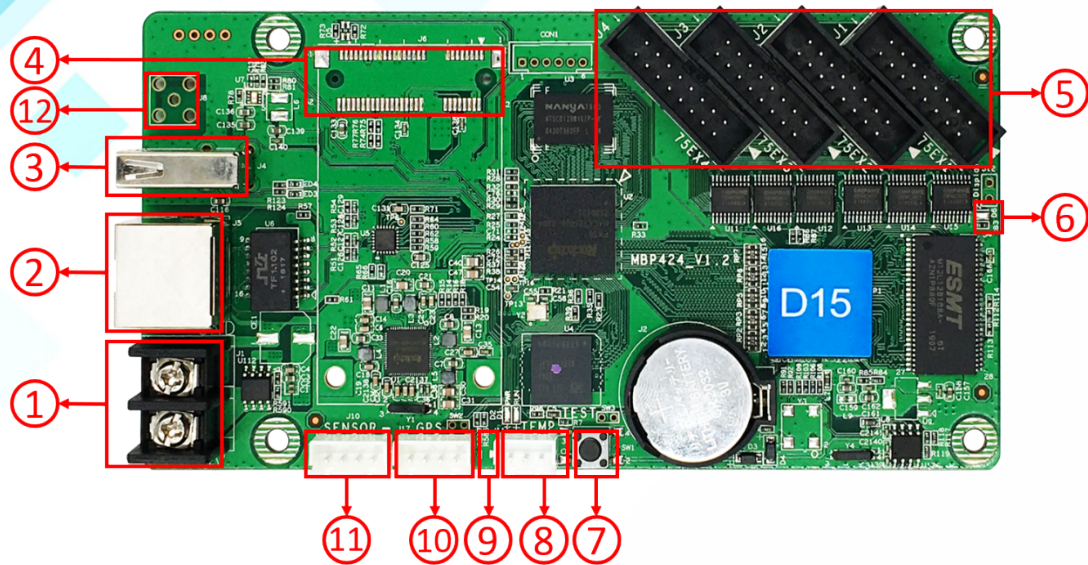
Support 4 groups HUB 75E parallel data are defined as follows:



## 6. Dimension Chart



## 7. Interface Description



1. Power terminal, connect 5V power,
2. RJ45 network port, and the computer network port, router or switch connected to the normal working state is orange light is always on, green light flashes,
3. USB port, connected to USB device for update programs, e.g. U-disk, Mobile hard disk, etc
4. Mini PCIE port: connected Wi-Fi or 4G module (Optional),
5. HUB75E port: connect LED screen by cable,
6. Display light (Display), normal working state is flashing,
7. Test button: for test the brightness and contrast of the display screen;
8. Temperature Sensor port: for connect to Temperature,
9. Power light and running light: D1 is running light, D2 is power light, normal working state: power is always on, run flashes,
10. GPS port: for connect to GPS module, use for time correction and fixed position,
11. Sensor Port: for connect external sensor.
12. Antenna connector socket: weld antenna socket of Wi-Fi or 4G (Optional).

**Note:** Due to the modular design of some accessories of the control card, it is optional to install according to the functions required by the user. It may be normal for the actual product and the specification picture to be different (such as 8 and 16).

## 8. Basic Parameters

	Minimum	Typical	Maximum
Rated voltage(V)	4.2	5.0	5.5
Storage temperature(°C)	-40	25	105
Work environment temperature(°C)	-40	25	80
Work environment humidity (%)	0.0	30	95
Net weight (kg)	0.076		
Certificate	CE, FCC, RoHS		

### Precaution

- 1) To ensure that the control card is stored during normal operation, make sure the battery on the control card is not loose;
- 2) In order to ensure the long-term stable operation of the system; please try to use the standard 5V power supply voltage.