



Product specification

Full color multiple-function box

HD-S108

V2.1 20220409

S108 is a full color multiple-function sensor box that integrates temperature, humidity, brightness and remote control, Connected to the LED display control system, The ambient temperature and humidity can be displayed on the LED display, At the same time, it supports automatically changing the brightness according to the surrounding brightness environment change. In addition, the program can be paused and played and the program can be switched through the remote control.

Technical Parameters:

Working temperature	-40~85°C
Sensitivity - high \ medium \ low	Get data every 5s\10s\15
Standard wiring length	1500mm

Function List:

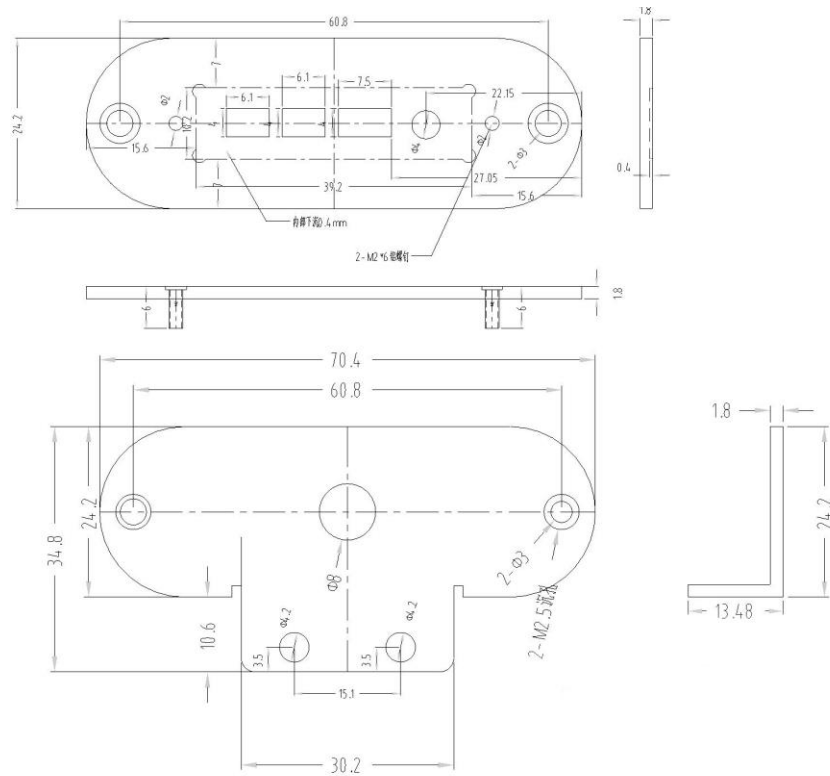
Temp	Monitor temperature and display on LED screen, Measuring range: -40°C~123.8°C
Humidity	Monitor humidity and display on the LED screen, Measuring range: 0%RH~100%RH
Brightness	Automatically change the brightness of the LED display according to the brightness change of the environment, Adjustment range: 1%~100%
remote	Realize remote control of switching programs, program pauses and play.

Appearance Description:



- ① **Running light:** flicker—work; not bright—Not working, Press the remote control and it will flash.
- ② **Remote control receiver:** remote control is for switch on and off screen, program selection, brightness adjustment, screen test etc.
- ③ **Brightness sensing:** Sensing the brightness of the environment automatically adjusts the brightness of the display. The daytime light is strong, the screen is brighter; the night light is weak, the screen is dark.
- ④ **Temp/humidity:** Sensing the temperature/humidity of the environment.

Size:



Cable Interface Description

1. 与控制卡连接线:

航空插头与 S108 连接，串口与控制卡连接。



2. 与播放盒连接线:

两头均为航空插头，带有防呆功能。

