

# **X16E**

## **LED Video Controller**

---

Specification v1.1



## Overview

X16E is a controller possessing powerful video signal input and processing capacity. It supports 4K inputs with DP 1.2 and HDMI 2.0 ports, and 2K inputs with HDMI 1.4 and DVI ports, and the multiple signals can be seamlessly switched. Equipped with 16 Gigabit Ethernet ports, the controller can greatly meet your different demands. Additionally, X16E boasts abundant practical functions that enable flexible screen control and high-quality image display.

## Features

- Input ports: 1×DP 1.2, 1×HDMI 2.0, 2×HDMI 1.4, 2×DVI.
- Loading capacity: 10.48 million pixels, maximum 16384 pixels in width or maximum 8192 pixels in height.
- Input resolution: up to 4096×2160@60Hz, supporting customized setting.
- Output ports: 16×Gigabit Ethernet port.
- Video source switching, cropping, splicing and scaling.
- Up to 6 windows, of which the location and size can be freely adjusted.
- Precise color management and display gamut adjustment.
- Video sync.
- Separate audio input and output.
- Analyzing and outputting the audio signals of HDMI and DP inputs.
- LAN control.
- Control via hand-held terminal (app).
- RS232 protocol control.
- 3D (optional).
- HDCP (Only HD interface support).
- Brightness and color temperature adjustment.

## Hardware

### Front panel



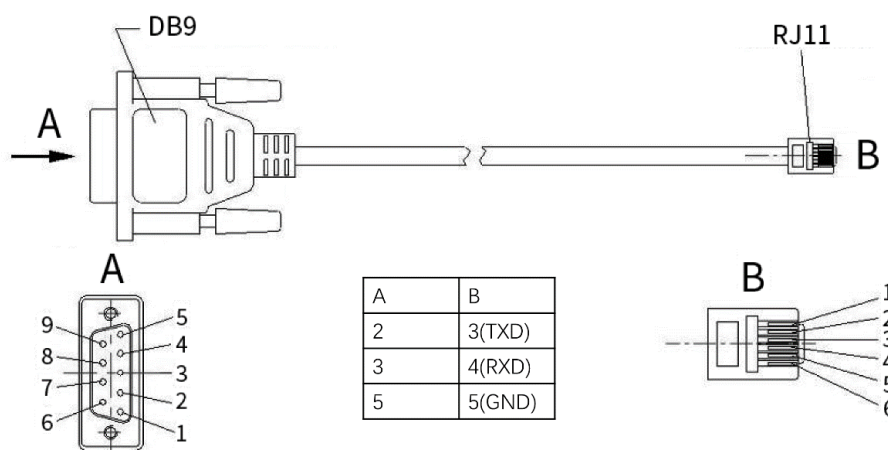
Item	Function
LCD	Display the operation menu and system information.
Knob	<ul style="list-style-type: none"> <li>• Turn the knob to select an item or adjust the parameter.</li> <li>• press the knob to confirm your selection or adjustment.</li> </ul>
Function Keys	<ul style="list-style-type: none"> <li>• <b>OK:</b> Enter key.</li> <li>• <b>Bright:</b> Brightness adjustment.</li> <li>• <b>ESC:</b> Exit the current menu or operation.</li> <li>• <b>Black:</b> Blackout.</li> <li>• <b>Lock:</b> Lock all the keys of the front panel.</li> <li>• <b>Freeze:</b> Freeze the image.</li> </ul>
Mode Keys	<ul style="list-style-type: none"> <li>• <b>HDMI1 / DP / HDMI2 / HDMI3 / DVI1 / DVI2:</b> Video source selection keys.</li> <li>• <b>Signal:</b> View the signals.</li> <li>• <b>Mode:</b> Presets scene switches, which can be switched by knob or button row.</li> <li>• <b>1~7:</b> Presets scene quick selection button.</li> </ul>
Power Switch	Switch the device on or off

### Rear panel



Input	
HDMI 1 (2.0)	1× HDMI 2.0
DP 1.2	1× DP 1.2
HDMI 2, HDMI 3	2× HDMI 1.4
DVI1, DVI2	2× DVI
Output	
Port 1-16	RJ45, 16× 1 Gigabit Ethernet port
Control	
LAN	Network control (communication with PC, or access network)
RS232	RJ11(6P6C)*, connect to the third party device
USB OUT	USB output, for cascading with the controller
USB IN	USB input, connecting to PC for debugging
3D	
3D (optional)	Connect to the 3D emitter
Audio	
AUDIO IN	Audio input, for inputting audio signals from the computer or other devices
AUDIO OUT	Audio output, for outputting audio signals to the speaker (Support outputting the audio signals of HDMI and DP)
Power	
MAINS INPUT	AC power connector, AC 100~240V, containing a built-in fuse

\* DB9 female to RJ11(6P6C) cable:



## Device Specifications

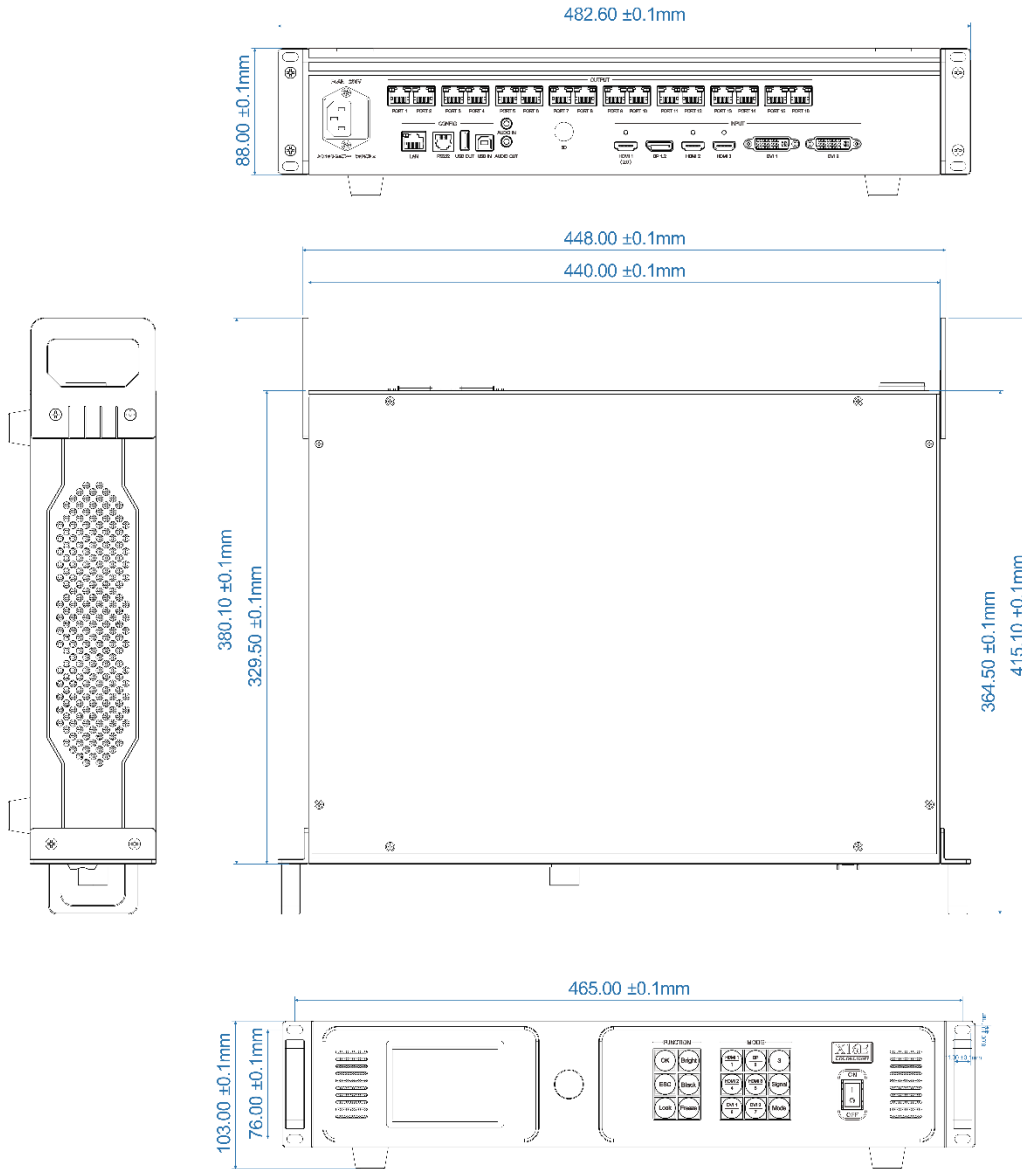
Model		X16E
Size		2U
Electrical Specifications	Input Voltage	AC100~240V, 50/60Hz
	Power Consumption	50W
Operating Environment	Temperature	-20°C~70°C/-4°F~158°F
	Humidity	0%RH~80%RH, non-condensing
Storage Environment	Temperature	-30°C~80°C/-22°F~176°F
	Humidity	0%RH~90%RH, non-condensing
Device Specifications	Dimensions	W×H×L/482.6mm×103.0mm×415.1mm/19"×4.1"×16.3"
	Net Weight	4.8kg/10.58lbs
Packing Specifications	Dimensions	W×H×L/525.0mm×150.0mm×495.0mm/20.7"×5.9"×19.5"
	Net Weight	1.8kg/3.97lbs

## Technical Specifications

<b>HDMI 2.0(A)</b>			
Standard	HDMI 2.0 specification, EIA/CEA-861 standard		
	Backward compatible with HDMI 1.4 and HDMI 1.3		
Input	Format		Maximum Input Resolution
	8bit	RGB444	4096×2160@60Hz
		YCbCr444	
		YCbCr422	
	Frame Rate	23.98/24/25/29.97/30/50/59.97/60/120/144Hz	
Support audio input			
<b>DP 1.2</b>			
Standard	DP 1.2 specification, support EDID		
Input	Format		Maximum Input Resolution
	8bit	RGB444	4096×2160@60Hz
		YCbCr444	
		YCbCr422	
	Frame Rate	23.98/24/25/29.97/30/50/59.97/60/120/144Hz	
Support audio input			
<b>HDMI 1.4</b>			
Standard	HDMI 1.4 specification, HDCP1.4 compliant		
Input	Format		Maximum Input Resolution
	8bit	RGB444	1920×1200@60Hz
		YCbCr444	
		YCbCr422	
	Frame Rate	23.98/24/25/29.97/30/50/59.97/60Hz/120/144Hz	
Support audio input			
<b>DVI</b>			
Standard	HDCP1.4 compliant		
Input	Format		Maximum Input Resolution
	8bit	RGB444	1920×1200@60Hz
		YCbCr444	
		YCbCr422	
	Frame Rate	23.98/24/25/29.97/30/50/59.97/60Hz/120/144Hz	

## Reference Dimensions

Unit: mm



## Statement

Copyright © 2022 Colorlight Cloud Tech Ltd. . All rights reserved.

Without the express written permission of Colorlight Cloud Technology Co., Ltd., no unit or individual may copy, copy, transcribe or translate part or all of the contents of this book. Not to be used for any commercial or profit-making purposes in any form or by any means.

 卡莱特® The logo is a registered trademark of Colorlight Cloud Technology Co., Ltd.

Without the written permission of the company or the trademark owner, no unit or individual may in any way or for any reason use, reproduce, modify, disseminate, transcribe or infringe all or any part of the above-mentioned trademark, nor may it be bundled with other products. Use sales.

As factors such as product batches and production processes may change, in order to provide accurate product information, specification parameters, and product characteristics in order to match the actual product, the text description and picture effects in the document will be adjusted and revised appropriately. If it is necessary to carry out the above modification and adjustment without prior notice, please refer to the actual product.

Welcome to choose to use the products of Colorlight Cloud Technology Co., Ltd. If you have any questions or suggestions in use, please contact us through official channels, we will try our best to support and listen to your valuable suggestions. For more information and updates, please visit the official website [www.colorlightinside.com](http://www.colorlightinside.com) or scan the QR code.

Service Phone

**4008 770 775**

**Colorlight Cloud Tech Ltd.**

Official Website: [www.colorlightinside.com](http://www.colorlightinside.com)  
Head Office Address: Room 37F-39F, Building 8, Zone A,  
Shenzhen International Innovation Valley, Vanke Cloud City, Dashi Yilu,  
Nanshan District, Shenzhen, China

